

Key Features

165Hz Refresh Rate | Ultra-Fast Response Time | NVIDIA

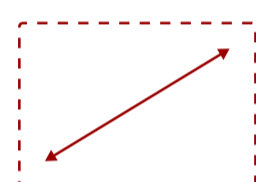
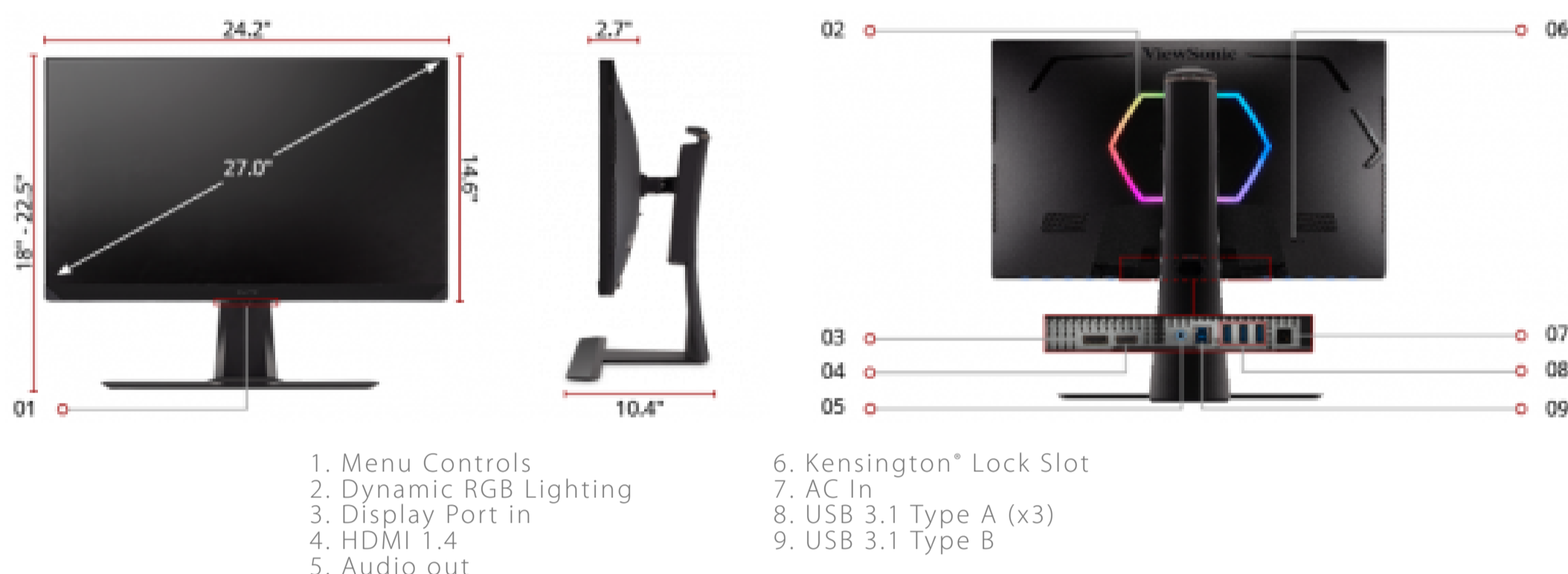
G-Sync Compatible | IPS Nano Color Technology | ELITE

RGB



Product Description

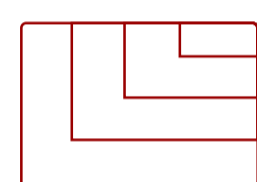
The ViewSonic® ELITE XG270QG is a 27" IPS Nano Color G-SYNC gaming monitor capable of achieving a true 1ms (GtG) response time. With its 144Hz (165Hz OC) refresh rate and NVIDIA G-SYNC technology, this groundbreaking monitor ensures smooth and uninterrupted gameplay for even the fastest scenarios. The new IPS Nano Color panel boasts a 2560x1440 (QHD) resolution and 98% DCI-P3 color coverage that brings games to life with deeper and more vibrant colors. The XG270QG monitor also includes ELITE design enhancements that improve organization and elevate a gamer's setup. These enhancements include a built-in mouse bungee, headphone hook, ELITE RGB ambient lighting, and an ultra-thin brushed aluminum base.



27"
DISPLAY



IPS
PANEL



2560 x 1440
RESOLUTION

Contact Sales

- call: 888.881.8781
- email: salesinfo@viewsonic.com
- visit: viewsonic.com

Display:

Display Size (in.):	27
Viewable Area (in.):	27
Panel Type:	IPS
Resolution:	2560 x 1440
Resolution Type:	QHD (2560x1440)
Static Contrast Ratio:	1,000:1
Dynamic Contrast Ratio:	120,000,000:1
Light Source:	LED
Brightness:	350 cd/m2
Colors:	1.07B
Color Space Support:	10 bit (8 bit + FRC)
Aspect Ratio:	16:9
Response Time (Typical GTG):	5ms
Response Time (GTG w/OD):	1ms
Viewing Angles:	178° horizontal, 178° vertical
Backlight Life (Hours):	30,000
Panel Surface:	Anti-Glare type, Hard-coating (3H), Haze 25%
Refresh Rate (Hz):	144
Adaptive Sync:	NVIDIA G-Sync

Compatibility:

PC Resolution (max):	2560 x 1440
Mac® Resolution (max):	2560 x 1440

Connector:

USB 3.1 Type A(3), USB 3.1 Type B(1), 3.5mm Audio Out(1), HDMI 1.4 In(1), Display Port(1)

Audio:

Internal Speakers:	2W (x2)
--------------------	---------

Power:

Eco Mode (Conserve):	60W
Eco Mode (optimized):	75W
Consumption (typical):	85W
Consumption (max):	90W
Voltage:	100-240 VAC, 50-60Hz
Stand-by:	0.5W
Power Supply:	External

Additional Hardware:

Kensington Lock Slot:	1
-----------------------	---

Controls:

Physical Controls:	Joystick key: Up, Right, Down, Left, Center; Shortcut; Power
On Screen Display:	Game Modes, Display, Input Select, , Audio Adjust, Setup Menu

Operating Conditions:

Temperature:	-4-140° F (-20-60° C)
Humidity (non-condensing):	5-90%

Mount:

VESA Compatible:	100 x 100 mm
------------------	--------------

Video Signal:

Frequency Horizontal:	HDMI (v1.4): 30 ~ 140 KHz, DisplayPort (v1.2): 34 ~ 222 KHz
Frequency Vertical:	HDMI (v1.4): 24 ~ 60 KHz, DisplayPort (v1.2): 30 ~ 165 KHz

Video Input:

Digital Sync:	TMDS for HDMI (v1.4), PCI-E for DisplayPort (v1.2)
---------------	--

Ergonomics:

Height Adjust:	120 mm / 4.7 in
Swivel:	30°
Pivot (Right/Left):	90° / 90°
Tilt (Forward/Back):	5° / 20°

Weight (imperial):

Net (lbs):	17.0
Net Without Stand (lbs):	10.4
Gross (lbs):	26.4

Weight (metric):

Net (kg):	7.7
Net Without Stand (kg):	4.7
Gross (kg):	12.0

Dimensions (imperial) (WxHxD):

Packaging (in.):	27.5 x 20.7 x 11.1
Physical (in.):	24.2 x 18.1~22.5 x 10.4
Physical Without Stand (in.):	24.2 x 14.6 x 2.7

Dimensions (metric) (WxHxD):

Packaging (mm):	698.0 x 525.0 x 282.0
Physical (mm):	614.0 x 458.7~571.6 x 265.0
Physical Without Stand (mm):	614.0 x 370.0 x 68.0

General:

Regulations: cTUVus or cULus, FCC-B, ICES003, CEC, MX-CoC, Mexico Energy
 PACKAGE CONTENTS: XG270QG, Power Cable, DisplayPort Cable, USB 3.1 Cable, AC/DC Adapter, ELITE Hood, Quick Start Guide
 Recycle/Disposal: Please dispose of in accordance with local, state or federal laws.
 Warranty: Three-year limited warranty on parts, labor and backlight
 UPC: 766907004793

Accessories:

CB-00009950, CB-00010555, CB-00010684, CB-00010958, LCD-DMA-002, LCD-WMK-001

Awards:

