



UAP-AC-M-PRO Quick Start Guide

Package Contents



UniFi AC AP Mesh Pro



Mounting Bracket



Pole Clamps (Qty. 2)



Carriage Bolts (Qty. 4)



Flange Nuts (Qty. 4)



Screws (Qty. 4)



Screw Anchors (Qty. 4)



Gigabit PoE Adapter (48V, 0.5A)*



Power Cord*

* Included only in the single-pack of the UAP-AC-M-PRO

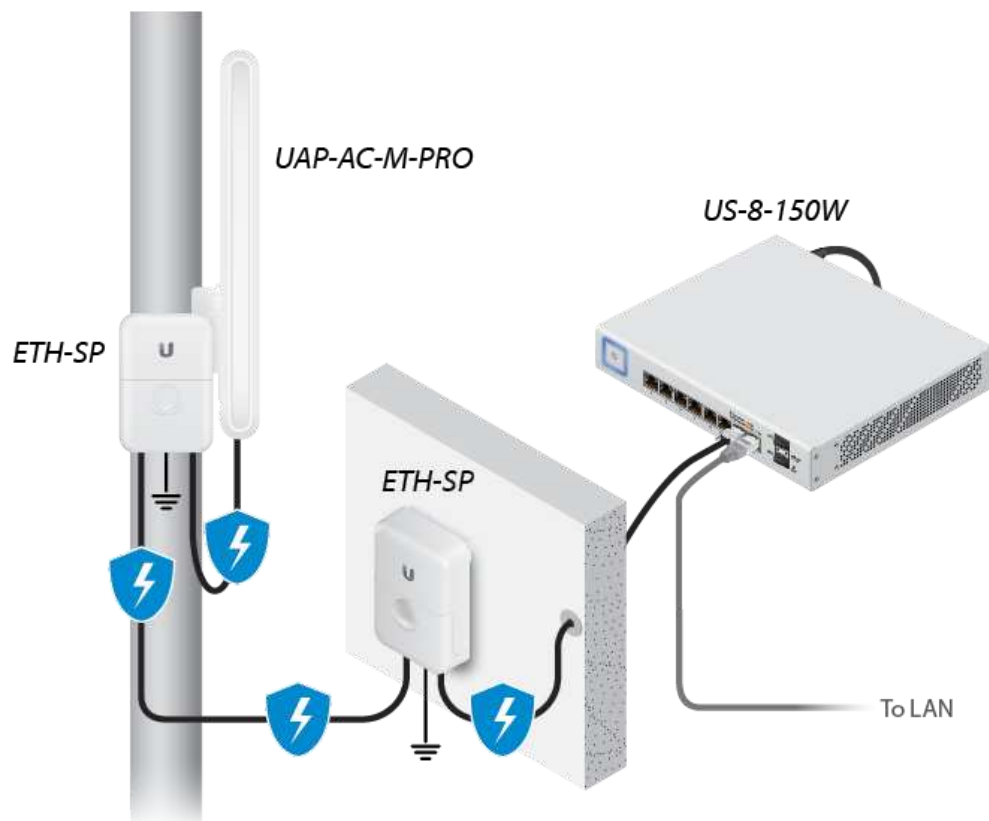
Installation Requirements

- 13 mm wrench (for pole mounting)
- Drill and 8 mm drill bit (for wall mounting)
- Phillips screwdriver (for wall mounting)

UAP-AC-M-PRO Quick Start Guide

Shielded Category 6 (or above) cabling should be used for all outdoor, three Ethernet connections and should be grounded through the AC ground of the PoE. We recommend that you protect your networks from harmful outdoor environments and destructive ESD events with industrial-grade, shielded Ethernet cable from Ubiquiti. For more details, visit ui.com/toughcable

- Surge protection should be used for all outdoor installations. We recommend that you use two Ethernet Surge Protectors, model ETH-SP, one near the UAP-AC-M-PRO and the other at the entry point to the building. The ETH-SP will absorb power surges and safely discharge them into the ground.



IMPORTANT: The UAP-AC-M-PRO requires the UniFi Controller v5.4 or higher, available at: ui.com/download/unifi

System Requirements

- Linux, Mac OS X, or Microsoft Windows 7/8/10
- Java Runtime Environment 1.6 (1.8 or newer recommended)
- Web Browser: Google Chrome (Other browsers may have limited functionality)
- UniFi Controller software v5.4 or newer (available at: ui.com/download/unifi)

Wireless Adoption Requirements



UAP-AC-M-PRO Quick Start Guide

configuration:

- The UniFi AP must be running firmware 3.7.7 or newer
- At least one SSID enabled and operating on 5 GHz band
- The UAP-AC-M-PRO must be within wireless range of the UniFi AP

Hardware Overview

LED

Ports



1 Secondary

The Secondary port is a Gigabit Ethernet port used for bridging.

2 Reset

The Reset button serves two functions for the UniFi AP:

- **Restart** Press and release the Reset button quickly.

UAP-AC-M-PRO Quick Start Guide

3 Main

The Main port is a Gigabit PoE port used to connect the power and should be connected to the LAN and DHCP server. Power can be provided by one of the following:

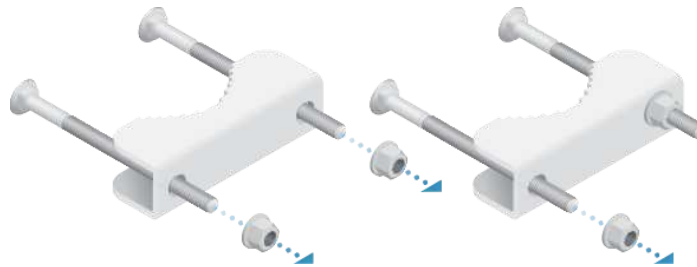
- Gigabit PoE Adapter (included)
- Ubiquiti UniFi Switch with PoE
- 802.3af/802.3at PoE+ compliant switch

Hardware Installation

The UAP-AC-M-PRO can be mounted on a pole or mast, or on a wall. Perform the steps for the appropriate installation.

Pole Mount

1.



2.



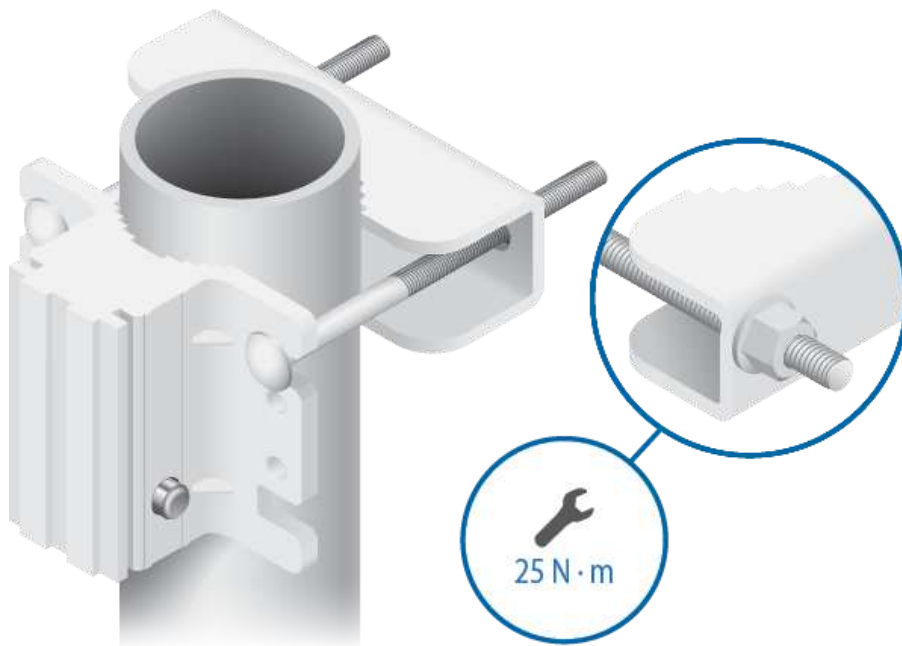
3.



UAP-AC-M-PRO Quick Start Guide



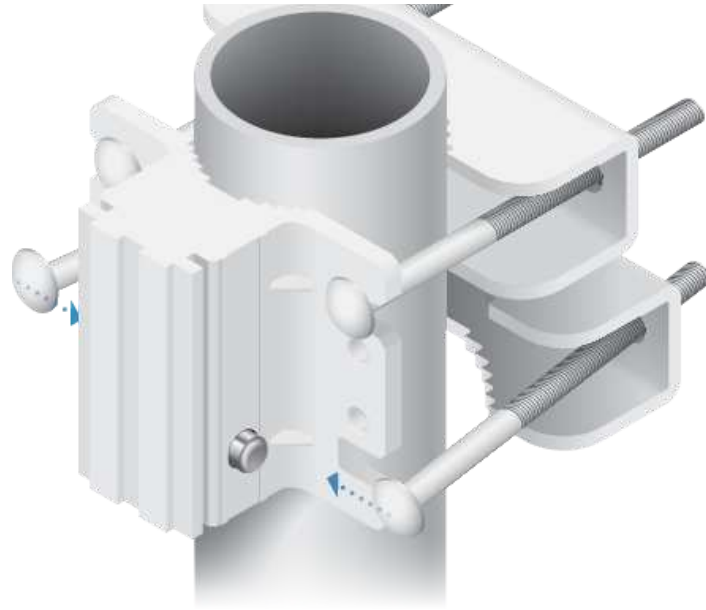
4.



5.



UAP-AC-M-PRO Quick Start Guide



6.



UAP-AC-M-PRO Quick Start Guide



Wall Mount

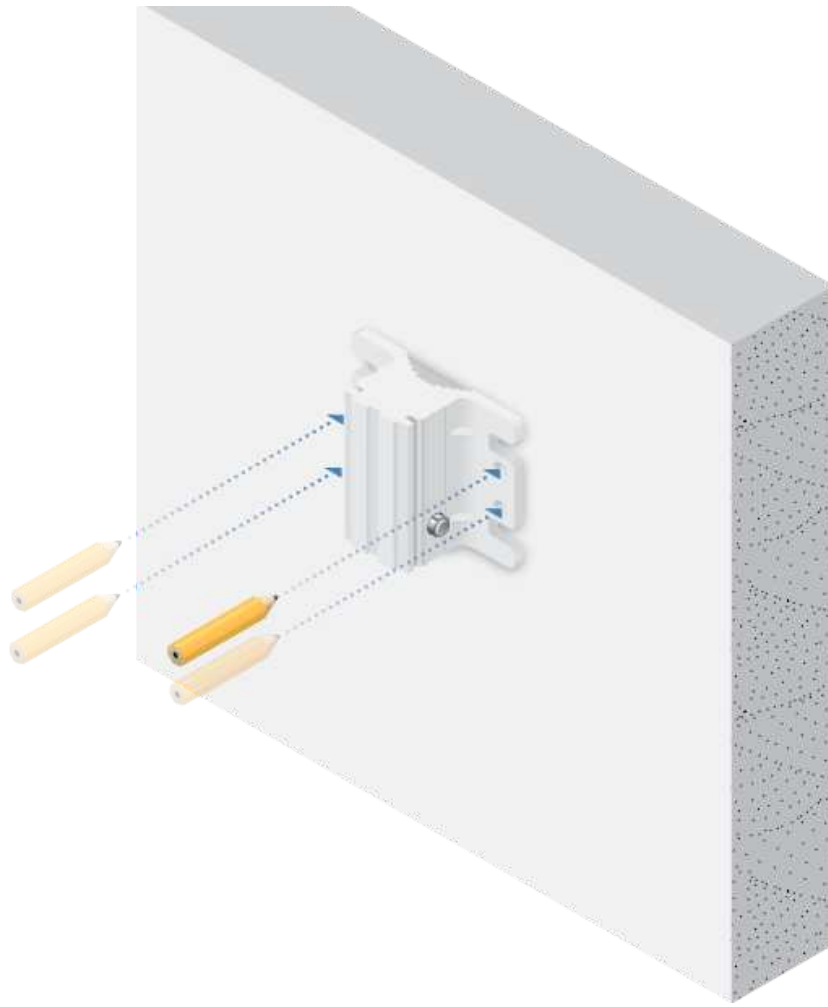


Note: Secure the Mounting Bracket directly to a stud or other structurally stable surface using appropriate fasteners.

1.



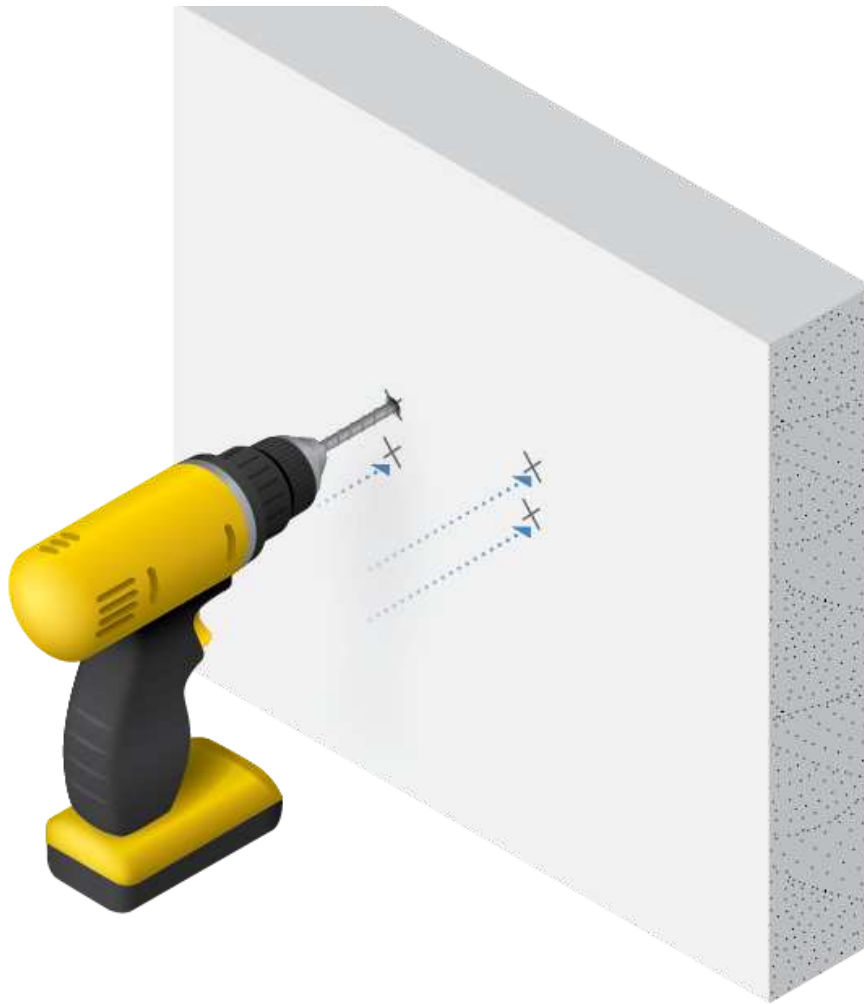
UAP-AC-M-PRO Quick Start Guide



2.



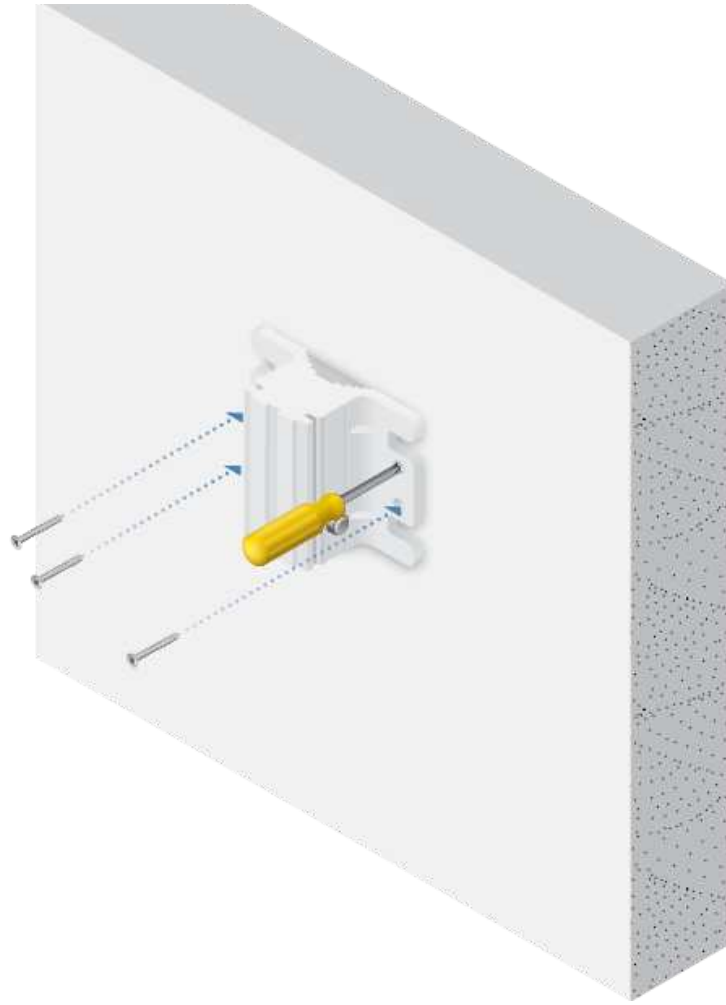
UAP-AC-M-PRO Quick Start Guide



3.



UAP-AC-M-PRO Quick Start Guide

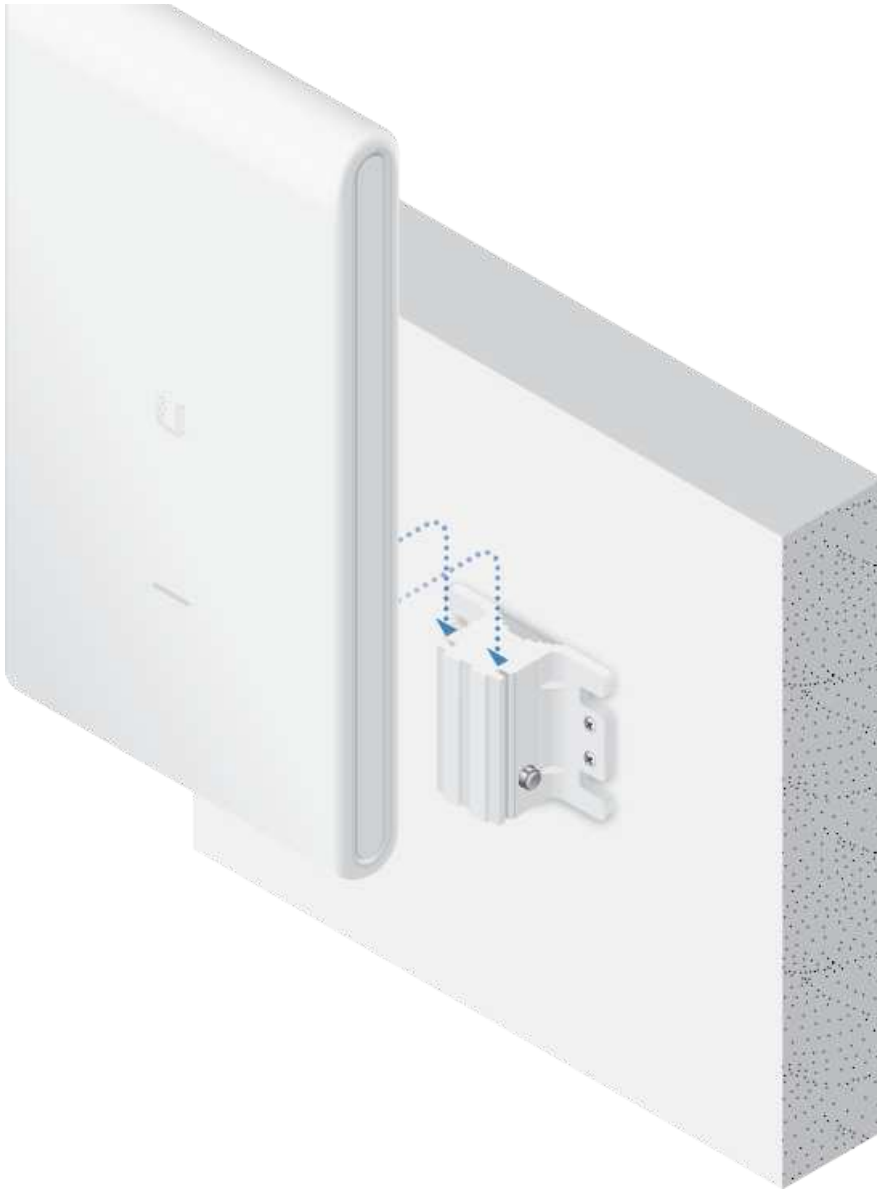


Note: Screws shown not included.

4.



UAP-AC-M-PRO Quick Start Guide



Connecting Ethernet

- 1.



UAP-AC-M-PRO Quick Start Guide



2.



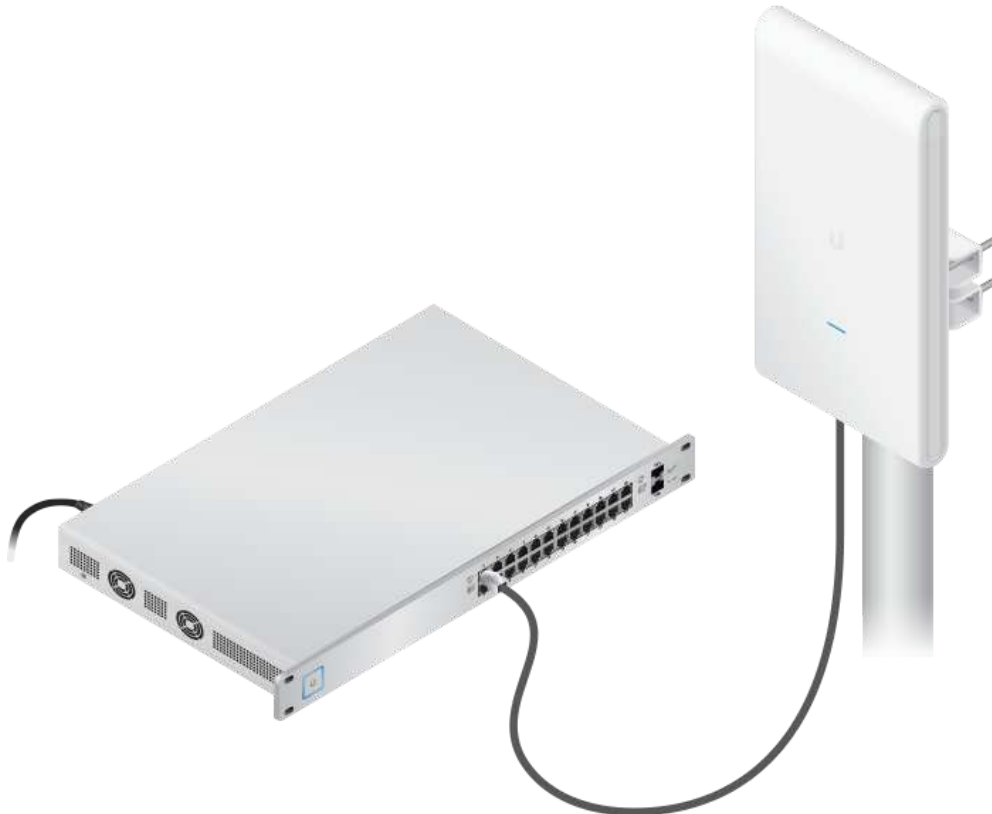
3.



UAP-AC-M-PRO Quick Start Guide



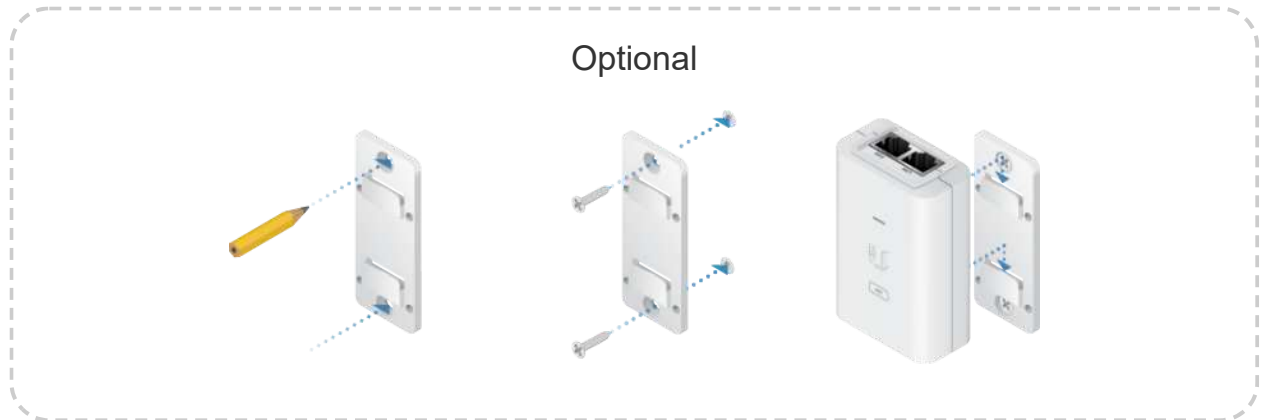
Connecting Power



OR



UAP-AC-M-PRO Quick Start Guide



Wireless Adoption

See [“Wireless Adoption Requirements”](#) before proceeding.

1. Ensure the UAP-AC-M-PRO is powered on, and then launch the UniFi Controller software.
2. Go to the Devices page, and the UAP-AC-M-PRO will show up as Pending Approval (Wireless).
3. Click Adopt.

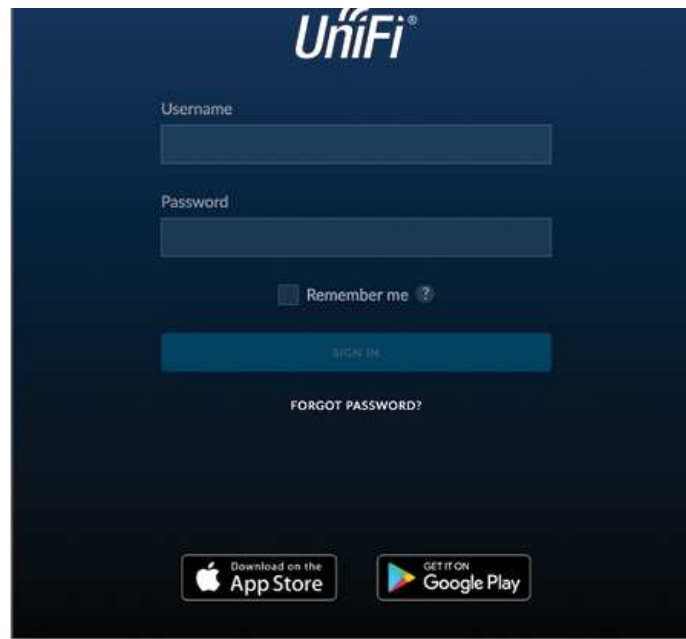
For information on configuring and using the UniFi Controller software, refer to the User Guide located on our website: ui.com/download/unifi

Software Installation

Download and install the latest version of the UniFi Controller software. Launch it and follow the on-screen instructions. The software and step-by-step instructions in the User Guide are available at: ui.com/download/unifi

After you have installed the software and run the UniFi Installation Wizard, a login screen will appear for the UniFi Controller management interface. Enter the username and password that you created and click Sign In.

UAP-AC-M-PRO Quick Start Guide



You can manage your wireless network and view network statistics using the UniFi Controller management interface. For information on configuring and using the UniFi Controller software, refer to the User Guide.

Mobile App Installation

Ubiquiti also offers the UniFi app, which is available from the App Store® (iOS) or Google Play™ Store (Android). You can use it to provision a UniFi AP for basic functionality without configuring a UniFi Controller. It also allows seamless provisioning of APs for remote controllers (controllers not on the same Layer 2 network) and easy access to local controllers and those monitored on unifi.ui.com

Specifications

UAP-AC-M-PRO	
Dimensions	343.2 x 181.2 x 60.2 mm (13.51 x 7.13 x 2.37")
Weight	633 g (1.40 lb)
Networking Interface	(2) 10/100/1000 Ethernet Ports
Buttons	Reset
Power Method	802.3af PoE
Power Supply	48V, 0.5A PoE Gigabit Adapter (Included)
Supported Voltage Range	44VDC to 57VDC
Max. Power Consumption	9W

UAP-AC-M-PRO Quick Start Guide

Operating Frequency	2.4 GHz 5 GHz
Max. TX Power	22 dBm
2.4 GHz	22 dBm
5 GHz	22 dBm
MIMO	3 x 3
2.4 GHz	3 x 3
5 GHz	3 x 3
Antennas	(3) Dual-Band Internal
Antenna Gain	8 dBi
Wi-Fi Standards	802.11 a/b/g/n/ac
Wireless Security	WEP, WPA-PSK, WPA Enterprise (WPA/WPA2, TKIP/AES)
BSSID	Up to Four per Radio
Mounting	Wall/Pole (Pole Kit Included)
Operating Temperature	-40 to 70° C (-40 to 158° F)
Operating Humidity	5 - 95% Noncondensing
Certifications	CE, FCC, IC

Safety Notices

1. Read, follow, and keep these instructions.
2. Heed all warnings.
3. Only use attachments/accessories specified by the manufacturer.



WARNING: Do not use this product in location that can be submerged by water.



WARNING: Avoid using this product during an electrical storm. There may be a remote risk of electric shock from lightning.

Electrical Safety Information

1. Compliance is required with respect to voltage, frequency, and current requirements indicated on the manufacturer's label. Connection to a different power source than those specified may result in improper operation, damage to the equipment or pose a fire hazard if the limitations are not followed.
2. There are no operator serviceable parts inside this equipment. Service should be provided only by a qualified service technician.

UAP-AC-M-PRO Quick Start Guide

- a. Do not substitute the power cord with one that is not the provided approved type. Never use an adapter plug to connect to a 2-wire outlet as this will defeat the continuity of the grounding wire.
- b. The equipment requires the use of the ground wire as a part of the safety certification, modification or misuse can provide a shock hazard that can result in serious injury or death.
- c. Contact a qualified electrician or the manufacturer if there are questions about the installation prior to connecting the equipment.
- d. Protective earthing is provided by Listed AC adapter. Building installation shall provide appropriate short-circuit backup protection.
- e. Protective bonding must be installed in accordance with local national wiring rules and regulations.

Limited Warranty

ui.com/support/warranty

The limited warranty requires the use of arbitration to resolve disputes on an individual basis, and, where applicable, specify arbitration instead of jury trials or class actions.

Compliance

FCC

Changes or modifications not expressly approved by the party responsible for compliance could void the user's authority to operate the equipment.

This device complies with Part 15 of the FCC Rules. Operation is subject to the following two conditions.

1. This device may not cause harmful interference, and
2. This device must accept any interference received, including interference that may cause undesired operation.

This equipment has been tested and found to comply with the limits for a Class A digital device, pursuant to part 15 of the FCC Rules. These limits are designed to provide reasonable protection against harmful interference when the equipment is operated in a commercial environment. This equipment generates, uses, and can radiate radio frequency energy and, if not installed and used in accordance with the instruction manual, may cause harmful interference to radio communications. Operations of this equipment in a residential area is likely to cause harmful interference in which case the user will be required to correct the interference at his own expense.

This radio transmitter has been approved by FCC.

ISED Canada

CAN ICES-3(A)/NMB-3(A)



UAP-AC-M-PRO Quick Start Guide

1. This device may not cause interference, and
2. This device must accept any interference, including interference that may cause undesired operation of the device.

This radio transmitter has been approved by ISED Canada.

The device for operation in the band 5150-5250 MHz is only for indoor use to reduce the potential for harmful interference to co-channel mobile satellite systems.

CAN ICES-3(A)/NMB-3(A)

Le présent appareil est conforme aux CNR d'ISDE Canada applicables aux appareils radio exempts de licence. L'exploitation est autorisée aux deux conditions suivantes :

1. l'appareil ne doit pas produire de brouillage;
2. l'appareil doit accepter tout brouillage radioélectrique subi, même si le brouillage est susceptible d'en compromettre le fonctionnement.

Le présent émetteur radio a été approuvé par ISDE Canada.

Les dispositifs fonctionnant dans la bande 5150-5250 MHz sont réservés uniquement pour une utilisation à l'intérieur afin de réduire les risques de brouillage préjudiciable aux systèmes de satellites mobiles utilisant les mêmes canaux.

IMPORTANT NOTE

Radiation Exposure Statement

- This equipment complies with radiation exposure limits set forth for an uncontrolled environment.
- This equipment should be installed and operated with minimum distance 20 cm between the radiator and your body.
- This transmitter must not be co-located or operating in conjunction with any other antenna or transmitter.

AVIS IMPORTANT

Déclaration sur l'exposition aux rayonnements

- Cet équipement est conforme aux limites prévues pour l'exposition aux rayonnements dans un environnement non contrôlé.
- Lors de l'installation et de la mise en fonctionnement de l'équipement, assurez-vous qu'il y ait une distance minimale de 20 cm entre l'élément rayonnant et vous.
- Cet émetteur ne doit être installé à proximité d'aucune autre antenne ni d'aucun autre émetteur, et ne doit être utilisé conjointement à aucun autre de ces appareils.

Australia and New Zealand



Warning: This equipment is compliant with Class A of CISPR 32. In a residential environment this equipment may cause radio interference.



UAP-AC-M-PRO

UAP-AC-M-PRO Quick Start Guide



Nota: Este equipamento não tem direito à proteção contra interferência prejudicial e não pode causar interferência em sistemas devidamente autorizados.

CE Marking

CE marking on this product represents the product is in compliance with all directives that are applicable to it.



Country List



AT	BE	BG	CY	CZ	DE	DK	EE	EL	ES	FI	FR	HR	HU
IE	IT	LV	LT	LU	MT	NL	PL	PT	RO	SE	SI	SK	UK

BFWA (Broadband Fixed Wireless Access) members noted in blue



Note: This device meets Max. TX power limit per ETSI regulations.

The following apply to products that operate in the 5 GHz frequency range:



Note: This device is restricted to indoor use only when operating in the 5150 - 5350 MHz frequency range within all member states.



Note: Operation in the 5.8 GHz frequency band is prohibited in BFWA member states. Other countries listed may use the 5.8 GHz frequency band.

WEEE Compliance Statement

Declaration of Conformity

Online Resources



UAP-AC-M-PRO Quick Start Guide



© 2021 Ubiquiti Inc. All rights reserved.