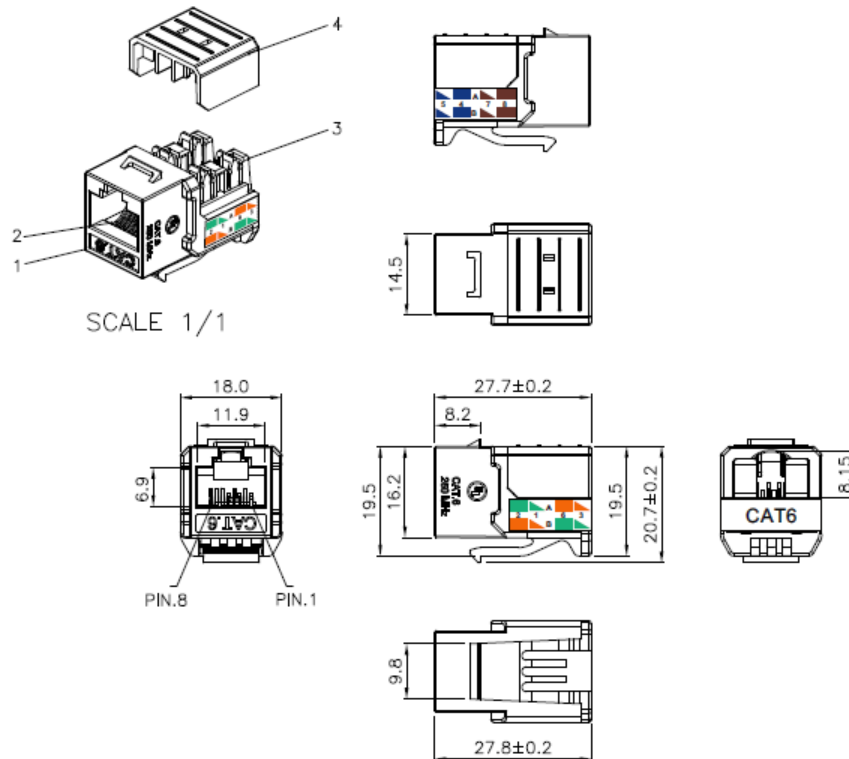


Our category 6 unshielded 110 type keystone jack is designed to transmit data at 1 gigabit per second while ensuring stable operation in the frequency of 250MHz or higher. It works with any board wall mount box or keystone type surface. The keystone jack allows connections solid and stranded wires with gauges ranging from 23 to 26 AWG and meets ANSI/TIA/EIA-568 C.2 broadcast standards. It has ISO/IEC 11801, and UL 94-V2 certifications. Features phosphor bronze contacts. Available in different colors for easy identification and organization. Easy to install, allows termination by using a punch down tool.



PCGKJC6TYRJ**



Product specifications

Connector characteristics

RJ45 jack housing and contact bracket material (1)	ABS + PC, UL 94V-0 and PBT+GF, UL 94V-0, in different colors
RJ45 jack contact material & finishing (2)	Phosphor bronze with nickel plated 50 micro-inch gold plated on plug contact area
IDC housing & terminal (3)	PC + Glass Fiber, grey color (RAL7035), UL 94V-2 Phosphor bronze with min. 50 micro-inch tin plated
IDC CAP (4)	PC UL94V-2, transparent black
PCB (5)	FR4, UL 94V-0
Insertion force	20N max. (IEC 60603-7-4)
Retention strength	7.7 kg between jack and plug
Durability	Jack: 750 cycles plug-jack mating and unmating test, insertion cycles at 20 cycles/minute max. Contact resistance test per 100 cycles (ISO/IEC 11801, IEC 60603-7-5)
Wiring	T568A & T568B
Operating temperature	-10°C to 60°C (ISO/IEC 11801, ANSI/TIA 568 C.2)

Transmission characteristics

Transmission speed	1,000Mbps
Bandwidth	250MHz

Certifications and standards

International standards	ANSI/TIA 568 C.2, ISO/IEC 11801
UL certificate	20080124 – E318655 DUXR.E318655

Miscellaneous

	GRAY	BLUE	RED	WHITE	BLACK
MPN	PCGKJC6TYRJGR	PCGKJC6TYRJBL	PCGKJC6TYRJRD	PCGKJC6TYRJWH	PCGKJC6TYRJBK
UPC	798302035904	798302035911	798302035928	798302035935	798302036048
Labeling	NEXXT SOLUTIONS (UL) CAT.6 E318655				
Packaging	Plastic bag				
Quantity per bag	1 unit				
Cuft	1.10 up to 1.70 per 100units				
Warranty	Lifetime limited warranty*				



E318655