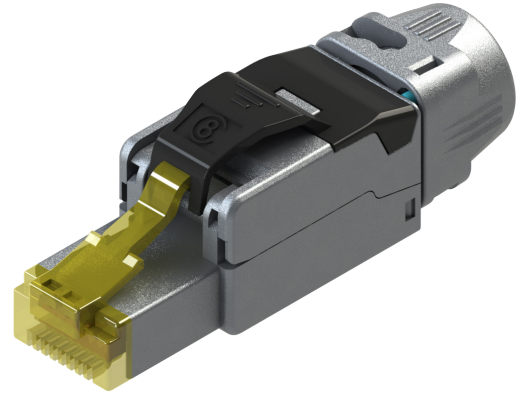
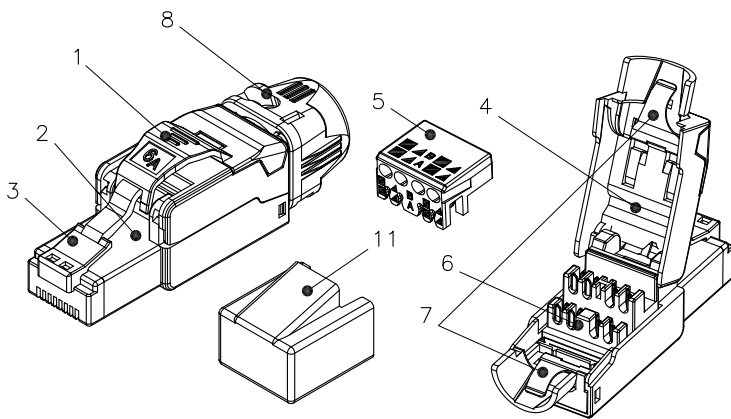


As the Internet of Things expands, so is the need to update the deployment platforms to keep pace with the technology. To respond to this evolution in networking systems, Nexxt Solutions incorporates the latest in structured cabling architecture known as the **Modular Plug Terminated Link** or **MPTL**. This new cabling topology recently approved by the TIA is a simple and cost-effective alternative to the traditional method of using equipment outlets or the typical keystone jack as the horizontal cable termination point. The MPTL link unique design enables fast and tool-free termination to cabling in typical field conditions. Since it is plugged directly into the network device, this connector greatly reduces the risk of installation issues or latent defects, while ensuring the integrity and performance of the link. It is the ideal solution for connecting the growing number of ethernet-based communication devices that are being integrated into private, public and enterprise infrastructures, such as wireless access points, LED lighting, security cameras, sensors, PoE lighting and building access units.



NXM-ST500



**Main features**

- Designed for the installation of cabling links terminated with a modular plug at the device end
- Recommended for high-performance cabling infrastructures using cat 6A cable
- Ideal for wireless access points, high-bandwidth applications, AV and security equipment
- Built according to TIA-568.2-D Standard, for quick and easy above-ceiling deployments
- Requires fewer connectors, simplifies cable runs and can be terminated on site
- Better security, connectivity and aesthetics of the installation
- Improved speeds, power performance and stability of the link

**Related products**



NAB-UTP6Axx



PCGPCC6ALZ\*\*



NAW-KSTO6ASL



**Product specifications**

<b>Connector characteristics</b>	
Extractor (1)	PC, UL 94V-2, black color
Housing (2)	ABS + PC, UL 94V-0, gray color. PC, UL 94V-2, transparent color
RJ45 plug housing (3-1)	PC, UL 94V-2, transparent yellow color
RJ45 plug contact material (3-2)	Phosphor bronze with 100 micro-inch nickel plating
RJ45 plug contact finish (3-3)	Min. 50 micro-inch gold plated on surface contact area
Cover (4)	Zinc die-casting with nickel plating
Wire management bar (5)	PC, UL 94V-2, white color
IDC housing (6-1)	PC, UL 94V-2, white color
IDC terminal (6-2)	Copper with tin plated terminal
Grounding contact (7)	Nickel plated copper
Boot housing (8-1)	Zinc die-casting with nickel plating
Boot spring (8-2)	SWP B
Boot cap (8-3)	PC, UL 94V-2, blue color
Tools required to install	Toolless
<b>Performance</b>	
Wiring	T568A & T568B
Insertion force	30N max (IEC 60603-7-51)
Retention strength	7.7 Kgs between jack and plug
Wire size compatibility	23-26AWG stranded and solid wire
Wire OD compatibility	6.0 - 7.5mm
Jack compatibility	Should comply with IEC 60603-7, TIA 1096 Chapter 4 and 5 requirement
Contact resistance	20mΩ (maximum)
Input to output DC resistance	100mΩ (maximum)
Dielectric withstand voltage	1000VDC contact to contact, 1500VDC contact to shield
Current at 77° F	1.5A
Insertion cycles	750 min. (ISO/IEC 11801, IEC 60603-7-4)
Max. plug terminations	20 cycles
Operating temperature	-10°C to 60°C (ISO/IEC 11801, ANSI/TIA/EIA-568-C.2)
Storage temperature	-40°C to 70°C
Environment protection	IP20
<b>Transmission characteristics</b>	
Transmission speed	10Gbps
Bandwidth	500MHz
Link max. distance	100m
<b>Certifications and standards</b>	
International standards	RoHS, REACH, ISO/IEC 11801
UL certificate	E157358,FPB-FS
ETL certificate	Pending
<b>Physical characteristics</b>	
Dimensions	13.8x18.4x50.2mm
Weight	24.8g
Master pack qty	500 pcs



Miscellaneous	
MPN	NXM-STS00
UPC	798302036062
Labeling	NEXXT SOLUTIONS CAT 6A
Packaging	Plastic Bag
Quantity per bag	50 pcs
Warranty	Lifetime limited warranty*



E318655