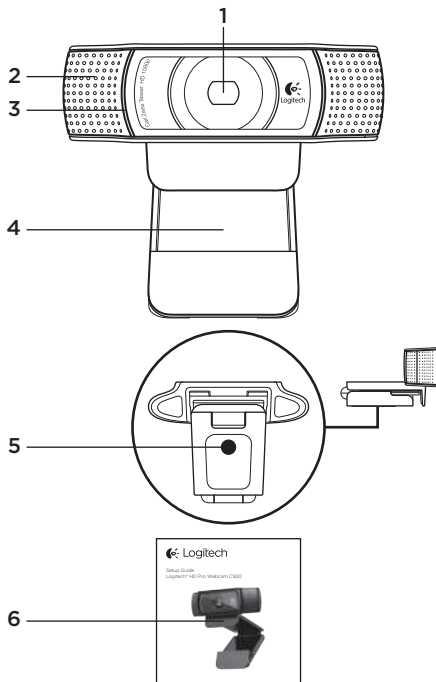




Setup Guide

Logitech® HD Pro Webcam C920





Features

1. Carl Zeiss® autofocus HD 1080p lens
2. Microphone
3. Activity light
4. Flexible clip/base
5. Tripod attachment
6. Product documentation

Thank you for buying your c920!



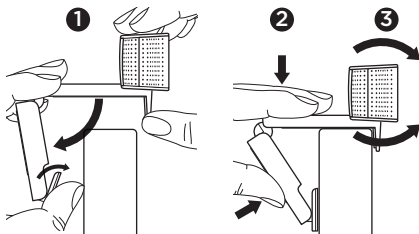
Use this guide to set up and begin using your Logitech webcam.

If you have questions before you start, or if you just want to learn more about your Logitech webcam, please visit logitech.com/support.

Setting up your webcam

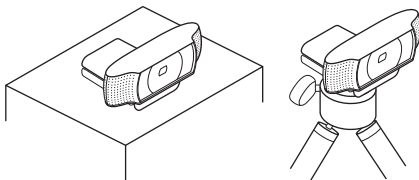
1 Place your webcam

Designed for the way you like to make a video call, place the Webcam c920 where you want it—on a computer monitor, desktop, or tripod.

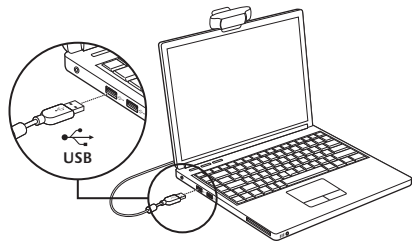


For placement on a monitor

Grasp the webcam as shown and open the flexible/clip base with your other hand. Mount the webcam, making sure the foot on the flexible/clip base is flush with the back of your monitor.



2 Connect your webcam



3 Install the software

If you're using your webcam with Windows® 8, the software required is downloaded automatically when you connect your webcam for the first time, and installed silently in the background.

Important: Make sure you're connected to the Internet, so the software can be downloaded.

If you're using your webcam with Windows® 7 or Windows Vista®, you must install the Logitech® Webcam Software, available from:

logitech.com/downloads

Getting started with video calling



Your Logitech HD Pro Webcam c920 provides full HD 1080p video calling.

To take advantage of video calling both you and the person you call must install Skype™, or use a different video-calling application such as Yahoo!® Messenger, Windows Live® Messenger or Gmail.

Learn more: skype.com

As well as a webcam and video calling application, both callers need:

- A computer with speakers (or a headset) and a microphone; your Logitech HD Pro Webcam c920 has two built-in microphones.
- A broadband Internet connection (e.g., DSL, T1, or cable)

Using your webcam with Windows 8

Use the Camera app, available from the Windows 8 Start screen, to operate and control your webcam.

Understanding the Camera app



1. Preview window. Click or tap to capture photos or videos (depending on whether Video Mode is selected).
2. Change webcams (when you have more than one). The face of your Logitech webcam illuminates when selected.
3. Adjust your camera settings.
4. Activate or deactivate the Timer feature. When activated, there is a three second countdown to capturing a photo or video.
5. Turn Video Mode on (to record videos) or off (to take photos).
6. Click or tap on the arrows to scroll through the photos and videos you have captured. Videos are denoted by a timer and play button in the bottom right-hand corner:



Tip: The Camera app lets you use your webcam's most popular features quickly and easily. If you want to take advantage of the enhanced features your webcam offers, such as motion detection, use the Logitech Webcam Software available from logitech.com/downloads.

Adjusting your Camera settings

The Logitech software optimizes the settings for your environment automatically. To adjust any of your settings choose **Camera options**. This is available from the Camera app (see the previous page) and from within Metro apps that support webcams.




Choose your required resolution for photo capture, or video capture when in Video Mode.

1. Choose the microphone you want to use to record sound in your videos, if you have more than one available.
 2. Access **More Options**, to benefit from enhanced features such as digital **Zoom** and **Move**.
 3. If the **More Options** pane doesn't show the Logitech logo and offer enhanced options, it is likely that the Logitech software didn't install correctly when you first connected your camera. To reinstall it, go to the Windows Store and look for Logitech Camera Controller.
 4. Zoom in or out to include/exclude your surroundings.
 5. Having zoomed in, drag the white box to pan (adjust the focus area of your webcam).
 6. Use **Follow my face** so you're always in the picture.
 7. Enjoy clear conversations without annoying background noise.
- Depending on the features available with your camera, you can access further advanced settings by scrolling.

Sharing your photos and videos

You can share your photos and videos via e-mail, Twitter, Facebook®, YouTube®, or Microsoft SkyDrive®. Follow these steps:

1. In the Camera app, scroll to the photo or video you want to share.
2. Select Share in the Charms bar (or press  - H):



3. Choose the media through which you want to share the photo or video.

Using your webcam with Windows 7 and Windows Vista

The Logitech Webcam Software provides everything you need to use and control your webcam. Launch the software from the Windows Start® menu, or by right-clicking on the camera icon in the Windows taskbar.

Understanding the Logitech Webcam Software



1. Capture pictures and videos.
2. View captured images and share via e-mail, Facebook, or YouTube.
3. Capture videos triggered by detected motion.
4. Control your webcam while on a video call.
5. Change webcams (when you have more than one).
6. Open Logitech Webcam Software settings.
7. Open help dashboard.

Capturing video and snapping pictures



Quick Capture allows you to take photos and record videos easily.

You have easy access to webcam controls and settings:

1. Preview window
2. Capture mode: photo/video
3. Capture button
4. Webcam controls
5. Photo thumbnails
6. Video thumbnails
7. Click a thumbnail to enter the gallery

Viewing and sharing using the Gallery



Clicking on an image thumbnail in the gallery (1) opens the video or photo in the review window (2). You can then:

- Attach the video or picture file to an e-mail (3)
- Edit the photo or splice together video (4)
- Upload the picture or video to Facebook (5)
- Upload a video to Twitter or YouTube (6)

You may also drag and drop a gallery image onto one of the function tiles (items 3–6) to launch an editing application or to attach or upload.

Using motion detection



- Set up your webcam to record video when it detects movement.
- Adjust captured video duration and detection sensitivity.
- Captured video is automatically saved to your computer.
- View content in the Gallery or upload it using the One-touch Upload window.

Fine tuning your webcam during a video call



1. Launch the webcam controller when on a video call.
2. Use pan and tilt to find the best angle.
3. Zoom in or out to include/exclude your surroundings.
4. Use **Follow my face** so you're always in the picture.
5. Enjoy clear conversations without annoying background noise.
6. Correct for poor lighting environments using RightLight.
7. Choose between auto- or manual focus.
8. Adjust advanced webcam settings.