

Quick installation guide

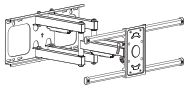
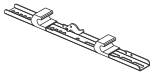
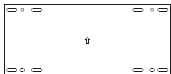








KPM-955






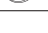


Introduction:

Thank you for purchasing the KPM- 955 Tilt and swivel mount. This product is shipped with all proper installation hardware and components. Upon opening the box, make sure that none of these parts are missing and/or damaged before beginning installation.

I. Hardware kit

| Label | Image | Item | Quantity |
|-------|---|-----------------------------|----------|
| A |  | Wall mount assembly | 1 |
| B |  | TV mount arm | 2 |
| C |  | Template | 1 |
| D |  | Tool-less threaded fastener | 2 |
| E |  | Nut wrench | 1 |
| F |  | Bubble level | 1 |
| M-A |  | M5x14mm screw | 4 |
| M-B |  | M6x14mm screw | 4 |
| M-C |  | M6x30mm screw | 4 |
| M-D |  | M8x30mm screw | 4 |
| M-E |  | M8x50mm screw | 4 |

| Label | Image | Item | Quantity |
|-------|---|--------------------|----------|
| M-F |  | Rectangular washer | 4 |
| M-G |  | Short round spacer | 8 |
| M-H |  | Long round spacer | 8 |
| W-A |  | Lag bolt | 6 |
| W-B |  | Concrete anchor | 6 |
| W-C |  | Metal flat washer | 4 |

IMPORTANT:

At least two qualified people should perform the assembly procedure. Personal injury and/or property damage can result from dropping or mishandling the display.

Maximum flat or curved panel weight:



The wall structure must be capable of supporting at least five times the weight of the flat panel. Otherwise, the wall structure must be reinforced.

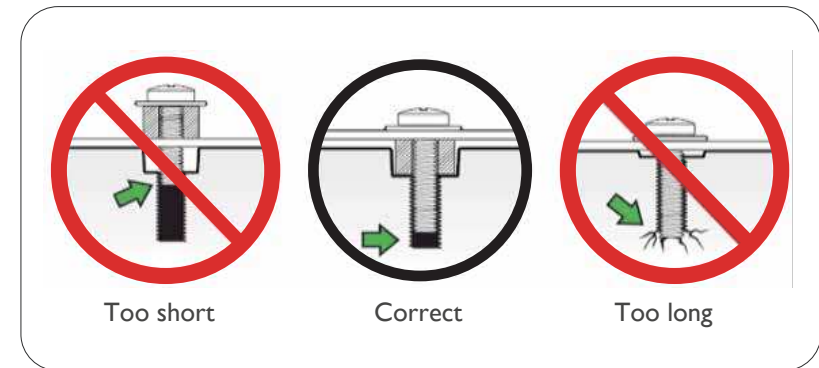
2. WARNING!

- Prior to installing this product, you must read all instructions thoroughly. Keep these installation instructions in an easily accessible location for future reference.
- Safety measures must be practiced at all times during the assembly of this product. Use proper safety equipment and tools for the assembly procedure to prevent personal injury.
- Klip Xtreme does not warrant against damage caused by the use of any Klip Xtreme mounts for purposes other than those for which it was designed or damage caused by unauthorized attachments or modifications, and is not responsible for any damages, claims, demands, suits, actions or causes of action of whatever kind resulting from, arising out of or in any manner relating to any such use, attachments or modifications.

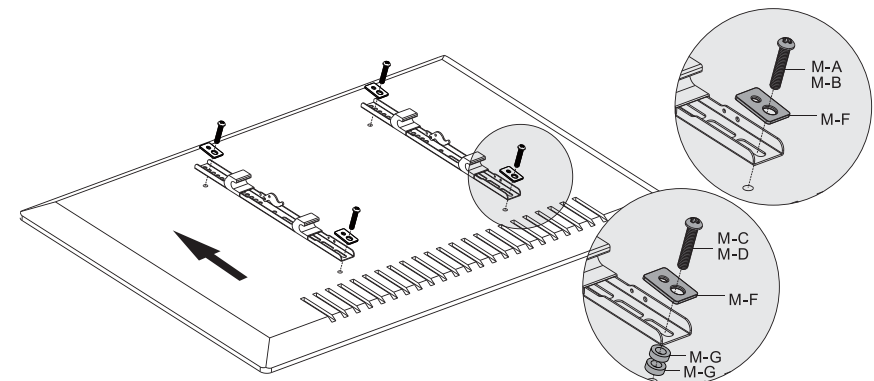
3. Installation of the mount arms to the rear panel of the screen

1. Place your flat panel screen-side down on a soft, even surface, and identify the threaded mounting points that are located on the back of the flat panel.
2. Determine the correct screw size by carefully inserting a straw or toothpick, and mark the depth of the mounting point. Please note that not all the hardware included will be used.

CAUTION: Verify the adequate thread engagement of the screw/spacer combination on your TV. Too short will not hold the TV and too long will damage the TV.

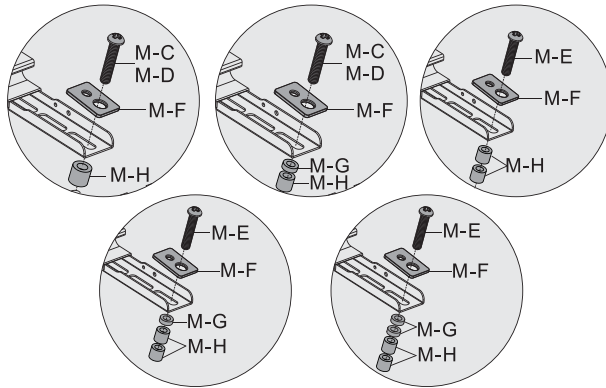
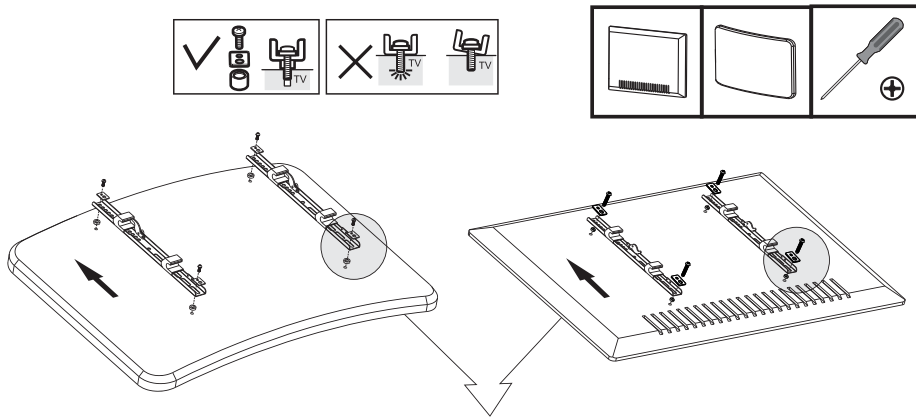
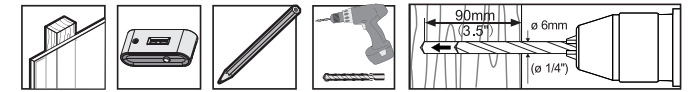


3. Attach the bracket arms to the flat panel by aligning the holes with the threaded inserts on the back of the display.



Standard flat panel mount installation

4. If your display has an irregular back or recessed mounting points, spacers must be placed between the mounting arm and the back of the screen to compensate the difference in depth.

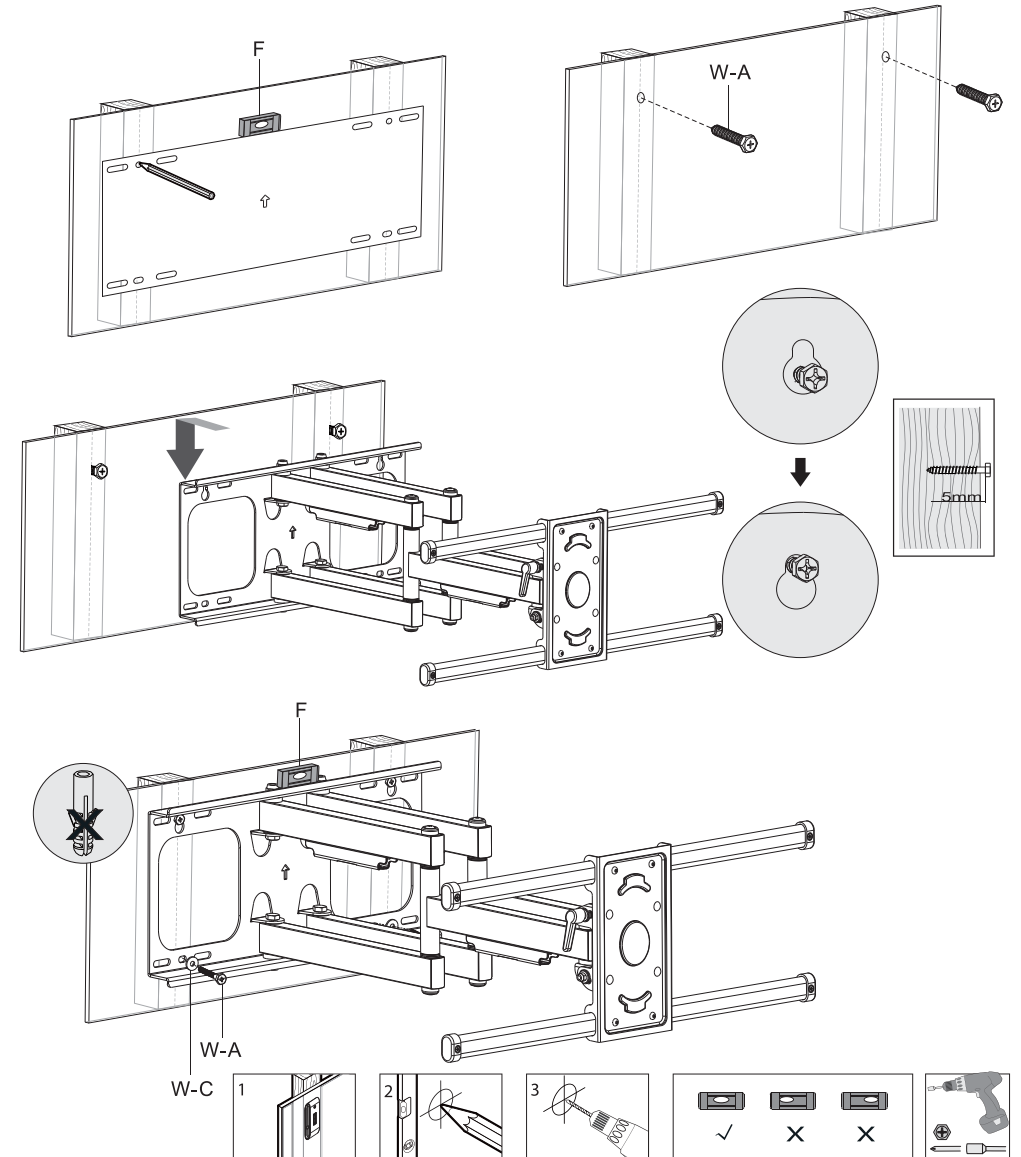


Curved screens and flat panels with an irregular back or recessed mounting points

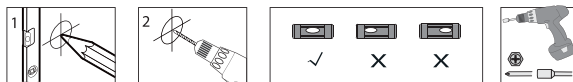
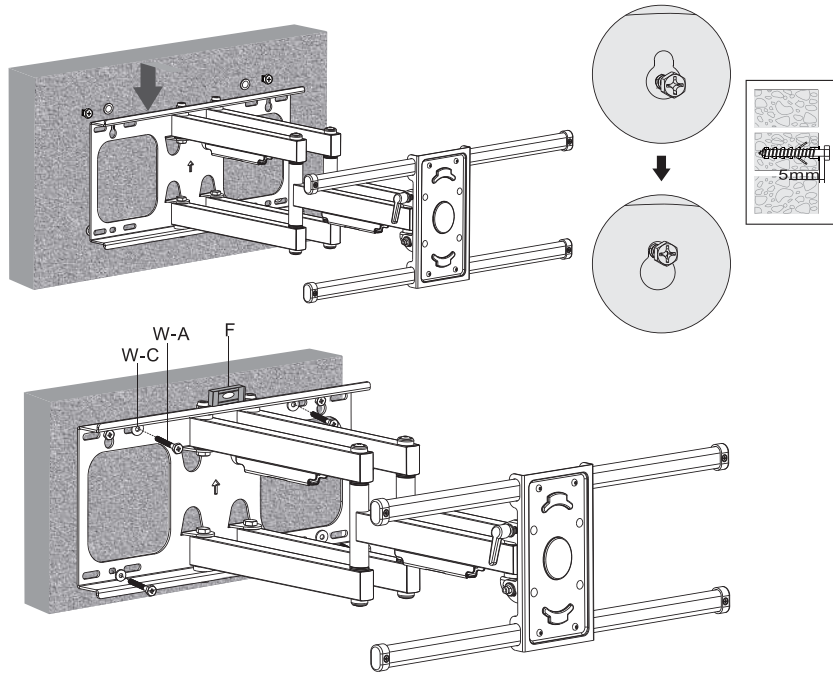
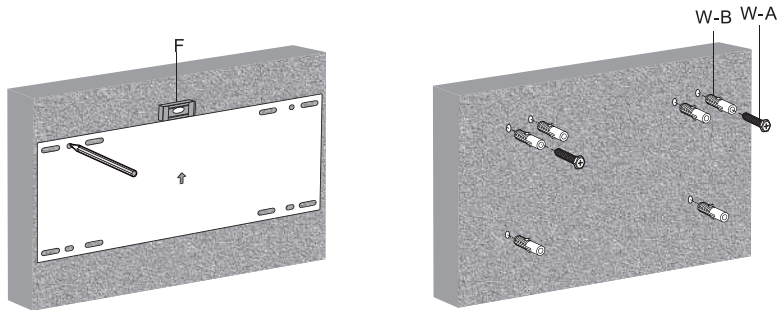
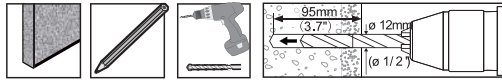
5. Use the recommended screws and rectangular washers to secure both arms to the display. Be careful not to over-tighten the screws.

4. Wall mount installation

1. Use the provided template to mark the mounting positions on the wall.
2. For gypsum or wooden walls, first locate studs. You may use a stud finder to determine the center of each stud.
3. Next, mark the first two found stud positions on the wall.
4. Make sure the mounting slots are aligned vertically and centered on the stud.



5. For concrete or brick walls, level wall plate and mark the hole locations.



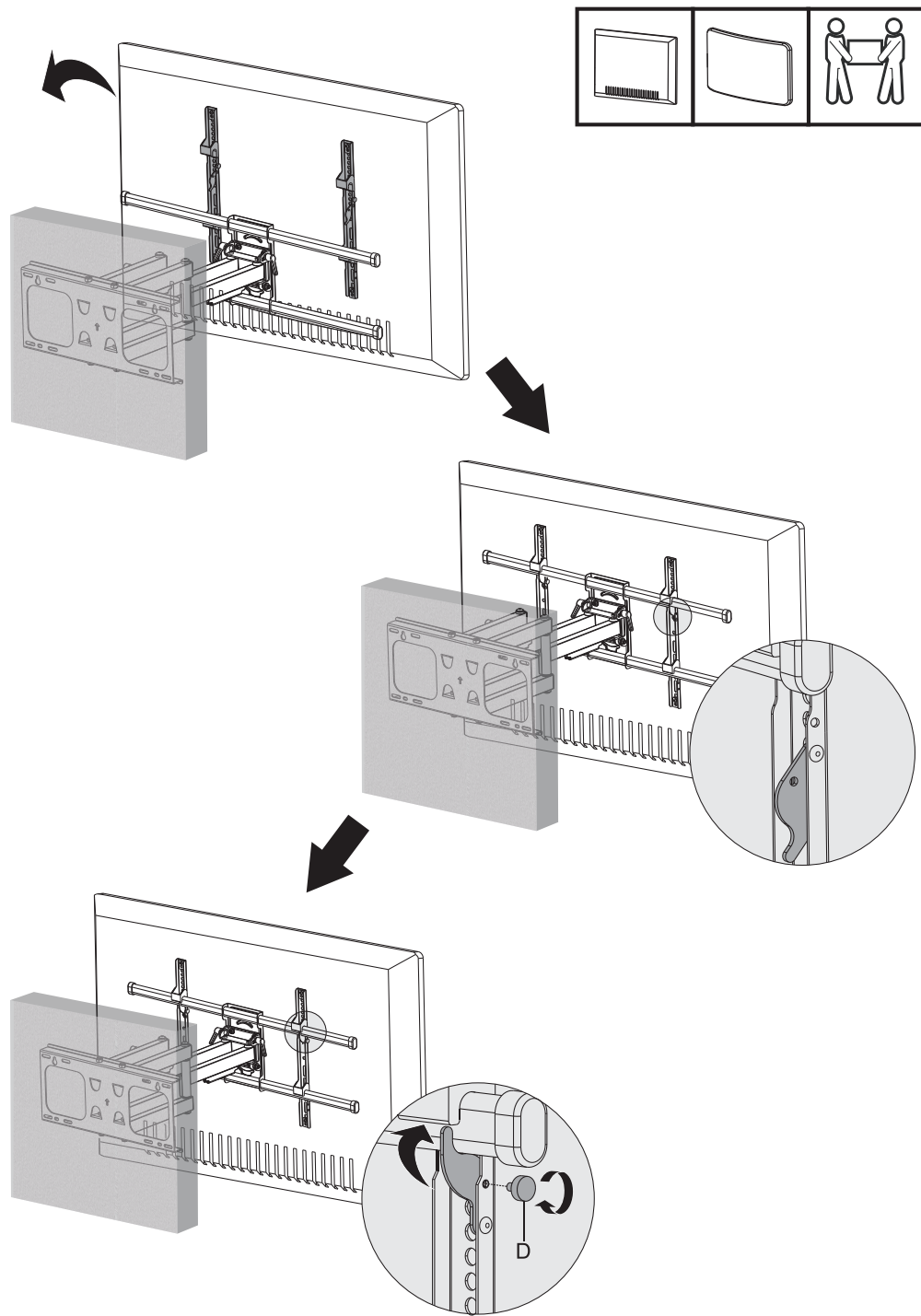
6. Check the bubble level. If the bubble is centered between the lines, it means that the wall plate is correctly positioned on the surface.
7. Proceed to drill the pilot holes using a drill bit, as illustrated.
8. For concrete or brick walls, insert the anchors making sure they are seated flush with the surface.
9. Insert lag bolts and washers, and drive them firmly into the wall.

5. Final assembly

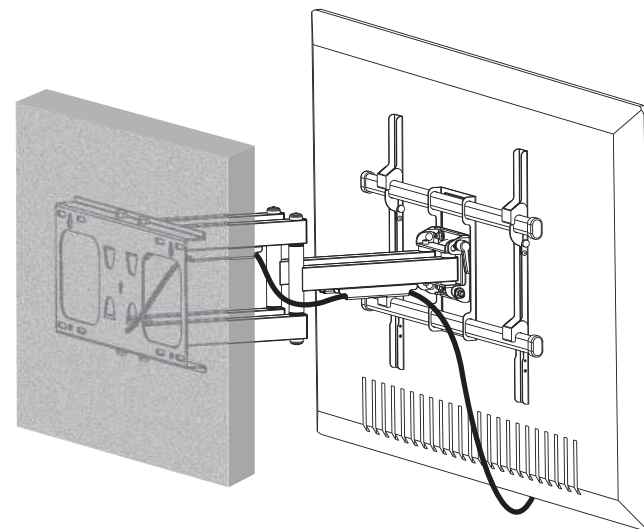
1. The flat panel must be lifted carefully by two people in order to attach it to the wall mount you just installed.
2. Hang both arms by aligning the top and bottom hooks on the horizontal rails of the mount.



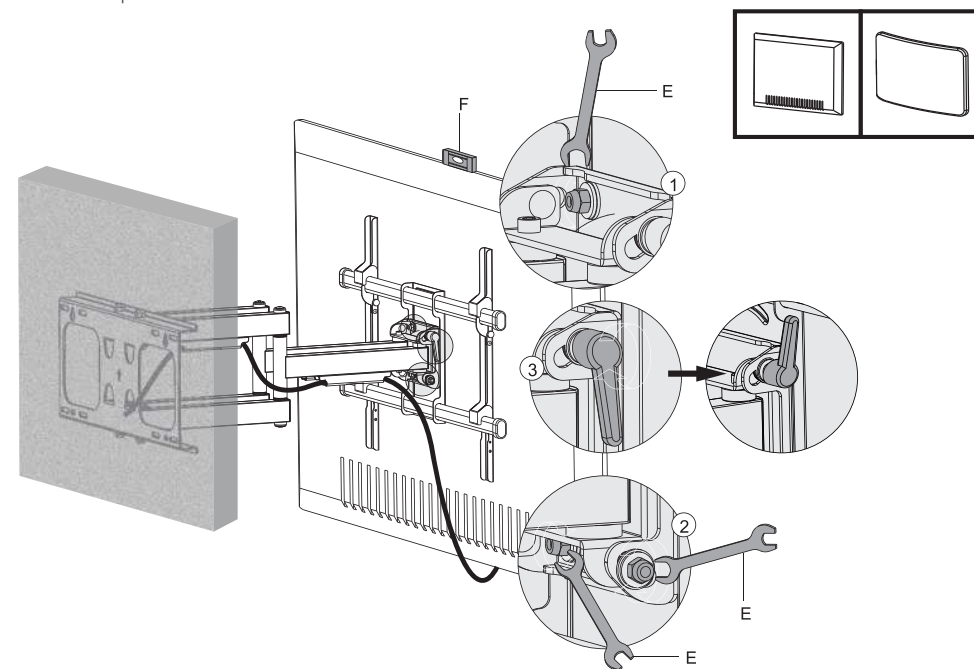
3. Lift the tab of each arm and insert a threaded fastener to secure the display onto the wall, as shown in the figure below.



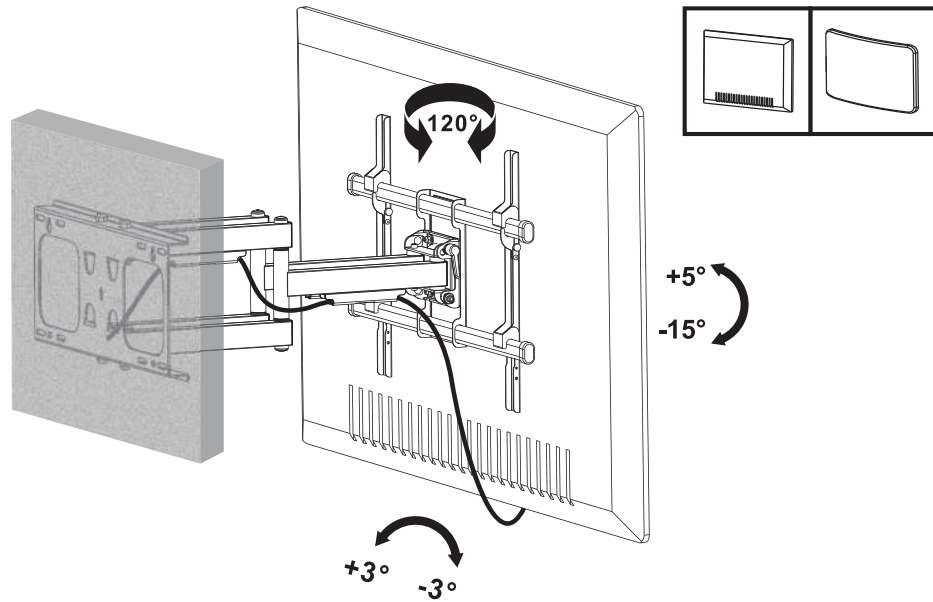
4. With the mount fully extended, make all the necessary connections and route the wires through the cable management channels, for a finished and professional looking installation.



5. Adjust the tilt and use the supplied wrench to tighten the bottom nuts fixing the connecting plate to the wall mount. Then, tighten the tension levers on each side clockwise to lock the screen in place.



6. Next, adjust the level and swivel angles in the best viewing position, as shown in the figure below.



Notes

7. Finish by pushing or pulling the articulating arm until the optimal distance from the wall is reached.