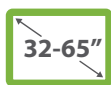
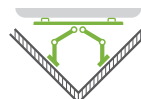


**KPM-935**


Fits TVs  
from 32-65 inches



Full motion  
Tilt -10°+12° / Swivel 90°









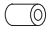






Corner, angled and  
flat wall compatible

**Introduction:**

Thank you for purchasing the KPM- 935 Articulated flat wall and corner mount. This product is shipped with all proper installation hardware and components. Upon opening the box, make sure that none of these parts are missing and/or damaged before beginning installation.

**I. Hardware kit**

Label	Imagen	Item	Quantity
1		Wall mount assembly	1
2		Screen Mount arm	2
A1		M8 lag bolt	8
A2		M8 concrete anchor	8
A3		M8 metal washer	8
B1		Bubble level	1
B2		Plastic spacer	4
B3		Metal washer	4
B4		20mm spacer	4
C		M6x20mm screw	4
D1		M8x25mm screw	4
D2		M8x45mm screw	4
E		M4x20mm screw	4

**NOTE:**

The hardware provided is VESA compliant matching the hole specifications adopted by the most widely known TV screens and monitors. However, certain devices may require different sizes of screws and/or washers to attach the back panel to the mount. Any additional hardware needed must be supplied separately by the user.

## IMPORTANT:

At least two qualified people should perform the assembly procedure. Personal injury and/or property damage can result from dropping or mishandling the display.

### Maximum flat or curved panel weight:



The wall structure must be capable of supporting at least five times the weight of the flat panel. Otherwise, the wall structure must be reinforced.

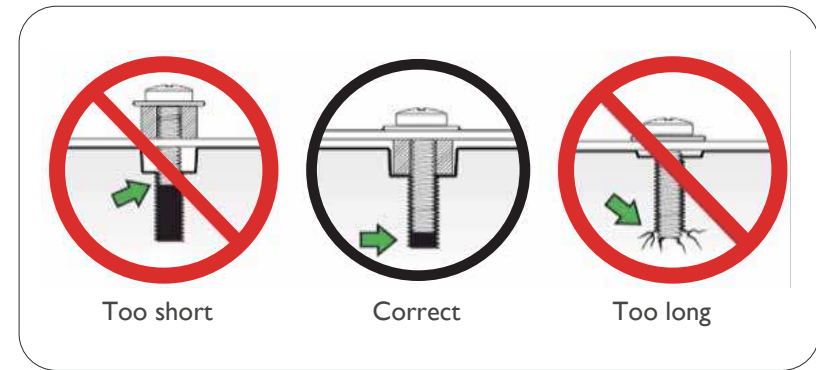
## 2. WARNING!

- Prior to installing this product, you must read all instructions thoroughly. Keep these installation instructions in an easily accessible location for future reference.
- Safety measures must be practiced at all times during the assembly of this product. Use proper safety equipment and tools for the assembly procedure to prevent personal injury.
- Klip Xtreme does not warrant against damage caused by the use of any Klip Xtreme mounts for purposes other than those for which it was designed or damage caused by unauthorized attachments or modifications, and is not responsible for any damages, claims, demands, suits, actions or causes of action of whatever kind resulting from, arising out of or in any manner relating to any such use, attachments or modifications.

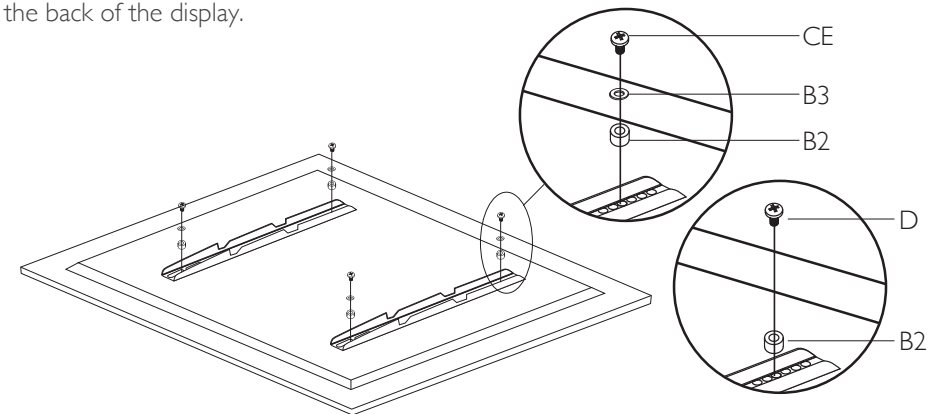
## 3. Installation of the mount arms to the rear panel of the screen

1. Place your flat panel screen-side down on a soft, even surface, and identify the threaded mounting points that are located on the back of the flat panel.
2. Determine the correct screw size by carefully inserting a straw or toothpick, and mark the depth of the mounting point. Please note that not all the hardware included will be used or that user-supplied hardware may be needed in certain cases.

**CAUTION:** Verify the adequate thread engagement of the screw/spacer combination on your TV. Too short will not hold the TV and too long will damage the TV.

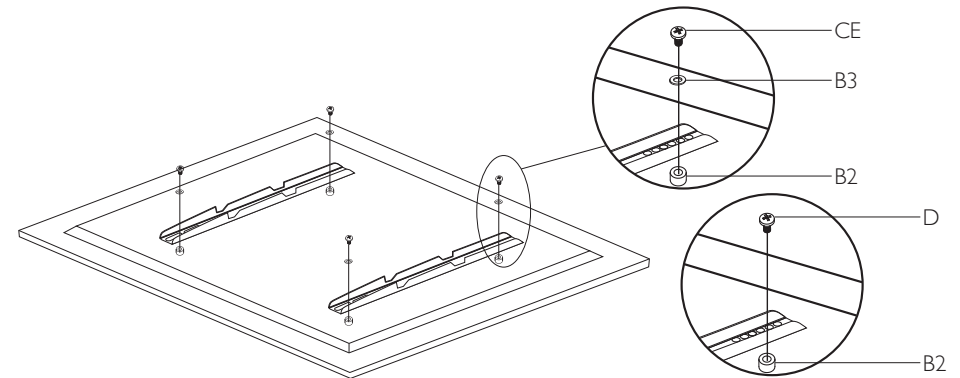


3. Attach the mount arms to the flat panel by aligning the holes with the threaded inserts on the back of the display.



### Standard flat panel mount installation

4. If your flat panel has an irregular back or recessed mounting points, spacers must be placed between the mounting arm and the flat panel to compensate the difference in depth.



### Screen with a curved back or recessed mounting points

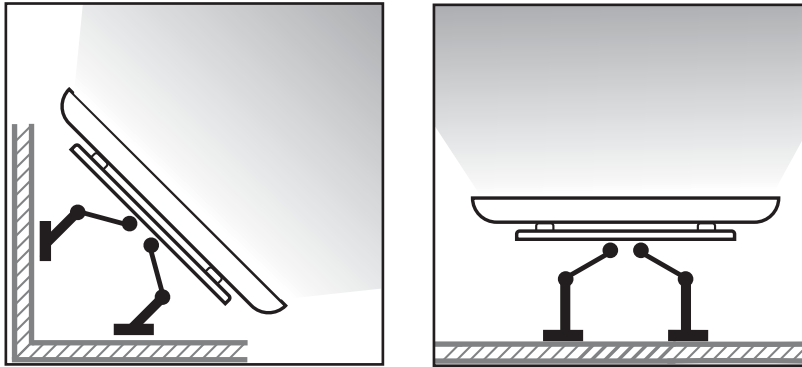
- Use the recommended screws and rectangular washers to secure both arms to the display. Be careful not to over-tighten the screws.

#### 4. Wall mount installation

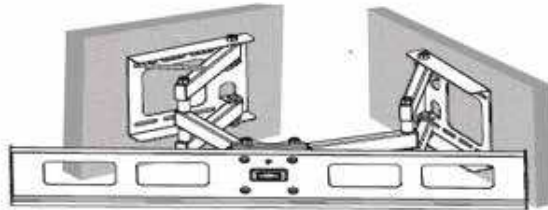
- Use the mount's back plates as a template to mark the mounting positions on the wall.

**Note:**

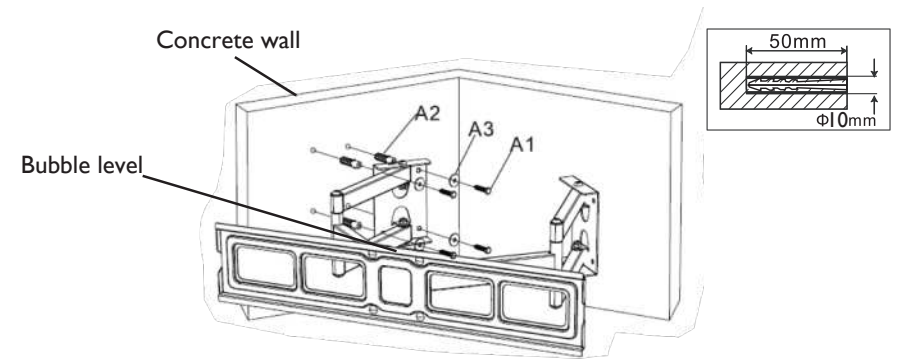
The mount is great for corner installation, but it can also be mounted on straight walls.



- Attach the bubble level right at the center of the horizontal TV plate. If the bubble is centered between the lines, it means that mount is correctly positioned on the surface.



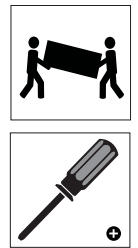
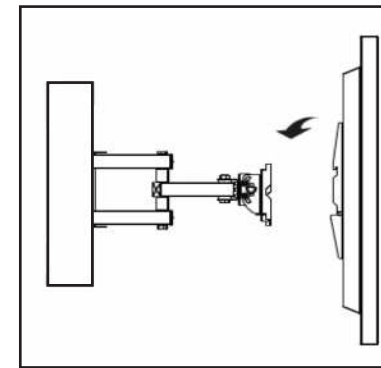
- Proceed to drill the pilot holes using a drill bit, as illustrated.
- Insert the anchors making sure they are seated flush with the surface.
- Insert lag bolts and washers, and drive them firmly into the wall, as shown below.



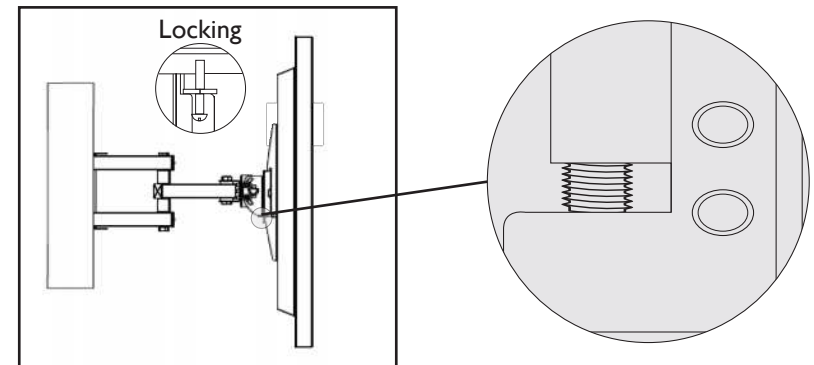
#### Solid concrete mounting

#### 5. Final assembly

- The flat panel must be lifted carefully by two people in order to attach it to the wall mount you just installed.
- Hang both arms by aligning the top and bottom hooks on the horizontal rails of the mount.

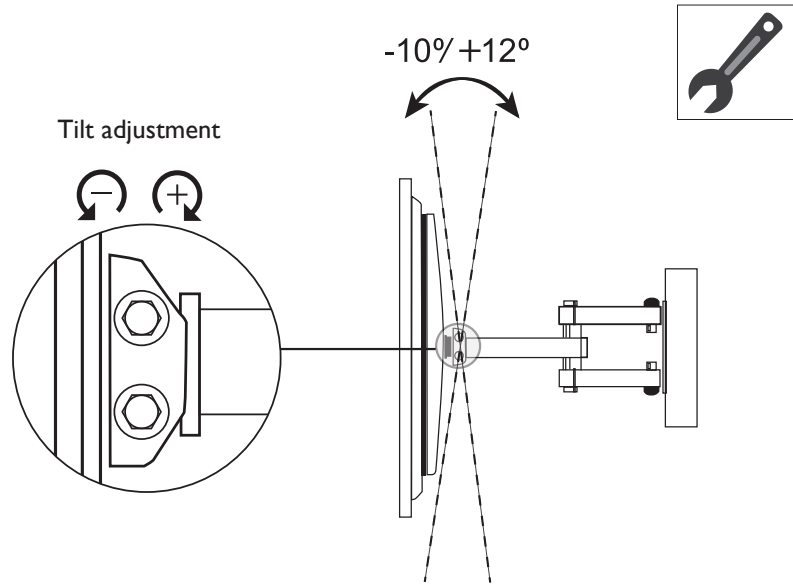


- Tighten the screws in both mounting arms to secure the display onto the wall, as shown in the figure below.



4. With the mount fully extended, make all the necessary connections and route the wires along the arms and behind the back plates, for a finished and professional looking installation.

5. Adjust the tilt and swivel angles in the best viewing position.



6. Finish by pushing or pulling the articulating arms until the optimal distance from the wall is reached

