

FUB-12200A

Utilizing the latest innovations in the lead acid technology, Forza® introduces the versatile, rechargeable and portable FUB-12200A battery.



Its unique sealed construction provides maintenance-free operation, with the advantage of being mounted in any orientation without capacity loss or fear of electrolyte leakage. This advanced AGM battery with thick plates and high-density active material provides an extra margin of performance and service life in float and cyclic power applications. Rugged and robust, the FUB works exceptionally well as power backup or off-grid power supply, such as in solar, wind, RV and heavy-duty mobility applications.

Highlights

- Multipurpose: Float or cyclic use
- Long service life, designed to deliver maximum power and consistent performance for many years
- Sealed and maintenance-free operation
- Leakproof: rugged, non-spillable construction design
- Safety valve installation for explosion proof operation
- High-quality and high reliability
- Low-self-discharge characteristic
- Flexibility of design suitable for mounting in any position
- Exceptional deep discharge recovery performance
- 12V-200Ah
- Operating ambient temperature range: 5~122°F

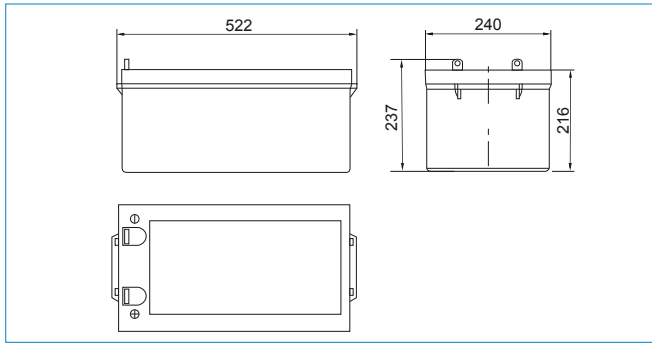
Applications

- Photovoltaic, solar, wind power systems
- UPS-Uninterruptible power supplies
- Computer backup
- Telecommunication systems
- Alarm systems
- Emergency lighting
- Fire and security systems
- Motor vehicles
- Outdoor and camping equipment
- Golf carts
- Marine equipment
- Medical equipment

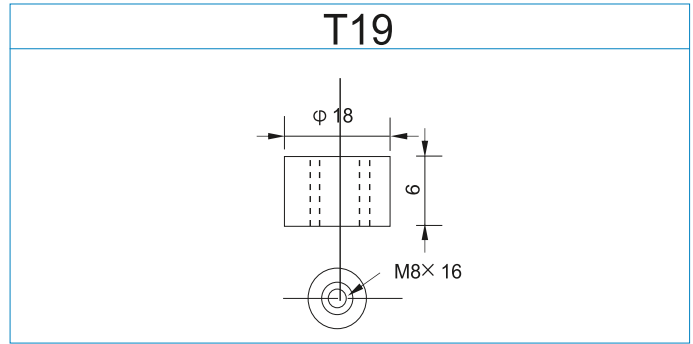


Product diagrams

Outer dimensions (mm)



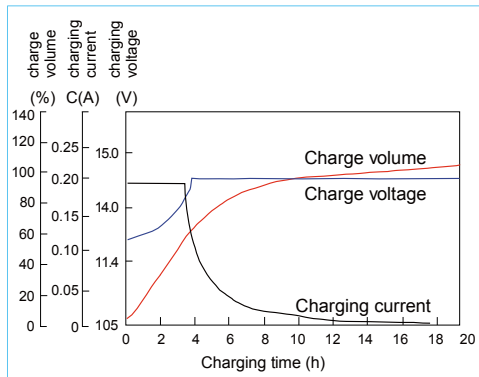
Terminal type (mm)



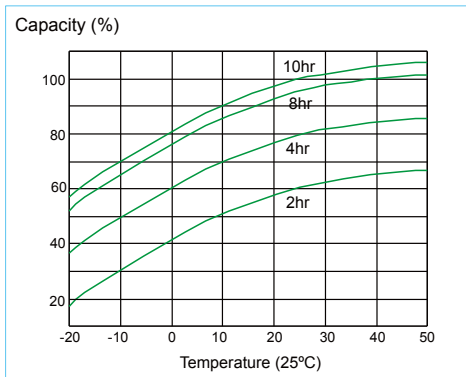
Constant current (amp) and constant power (watt) discharge table at 72°F (25°C)

Time		10min	30min	1h	2h	3h	4h	5h	8h	10h	20h
9.60V	A	400	220.0	120.0	70.0	52.0	42.0	35.6	23.2	22.0	11.4
	W	4240	2343	1284	756	567	462	391.6	257.1	244.2	127.7
10.20V	A	380.0	218.0	112.8	66.8	51.0	41.0	34.8	22.8	20.7	11.2
	W	4180	2409	1252	748	576	465	395	258	235	127
10.50V	A	360.0	204.0	110.0	65.2	50.0	40.0	34.0	22.5	20.4	11.1
	W	4032	2295	1243	743	573	460	391	259	235	127
10.80V	A	340.0	188.0	106.0	63.6	49.0	39.0	30.4	21.9	20.0	10.9
	W	3859	2143	1214	735	568	454	354	255	233	127
11.10V	A	320.0	168.0	100.0	62.0	47.0	38.0	29.0	21.3	19.5	10.8
	W	3680	1940	1160	725	552	448	342	252	230	127

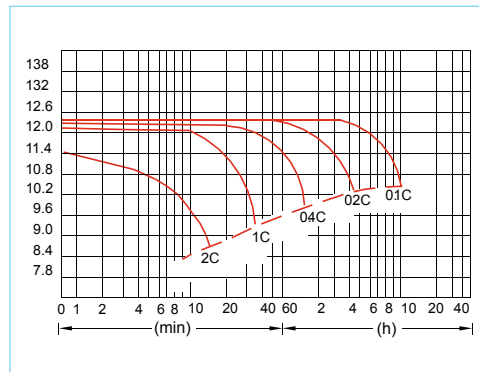
Charge characteristic curve (77°F)



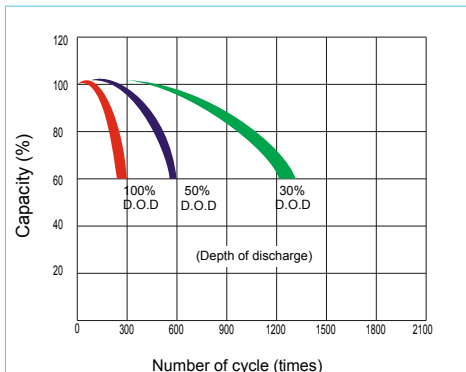
Discharge capacity and temperature curve



Discharge curve



Life characteristics of cyclic use



MPN	FUB-12200A	
Output		
Nominal voltage	12V	
Rated capacity (10-hour rate)	200Ah	
Type	Sealed-lead-acid battery – leakproof case	
Charge		
Cycle use voltage	14.6-14.8VDC	
Float charging voltage	13.7-13.9VDC	
Maximum charging current	50A	
Self-discharge at 77°F	Capacity after 3-month storage	91%
	Capacity after 6-month storage	82%
	Capacity after 12-month storage	64%
Terminal	T19	
Capacity factors		
Capacity at 77°F	10-hour rate (20.0 A)	200Ah
	5-hour rate (32.0 A)	160Ah
	1-hour rate (120A)	120Ah
	1.5-hour discharge to 10.5V	80.0A
Internal resistance	Full charged battery at 77°F	4mΩ
Capacity affected by temperature (20-hour rate)	104°F	102%
	77°F	100%
	32°F	85%
	5°F	65%
Charge (constant voltage)	Cycle	Initial charging current less than 50.0A Voltage 14.10-14.40V
	Float	Voltage 13.50-13.80V
Physical characteristics		
Color	Black	
Dimensions	Total height: 9.29 inches Height: 8.50 inches Length: 20.6 inches Width: 9.49 inches	
Weight	135.3lb	
Additional information		
International standards	IEC 60896-21/22:2004 UL Certification	
Warranty	One year	

