

FUB-12100A

Utilizing the latest innovations in the lead acid technology, Forza® introduces the versatile, rechargeable and portable FUB-12100A battery.



Its unique sealed construction provides maintenance-free operation, with the advantage of being mounted in any orientation without capacity loss or fear of electrolyte leakage. This advanced AGM battery with thick plates and high-density active material provides an extra margin of performance and service life in float and cyclic power applications. Rugged and robust, the FUB works exceptionally well as power backup or off-grid power supply, such as in solar, wind, RV and heavy-duty mobility applications.

Highlights

- Multipurpose: Float or cyclic use
- Long service life, designed to deliver maximum power and consistent performance for many years
- Sealed and maintenance-free operation
- Leakproof: rugged, non-spillable construction design
- Safety valve installation for explosion proof operation
- High-quality and high reliability
- Low-self-discharge characteristic
- Flexibility of design suitable for mounting in any position
- Exceptional deep discharge recovery performance
- 12V-100Ah
- Operating ambient temperature range: 5~122°F

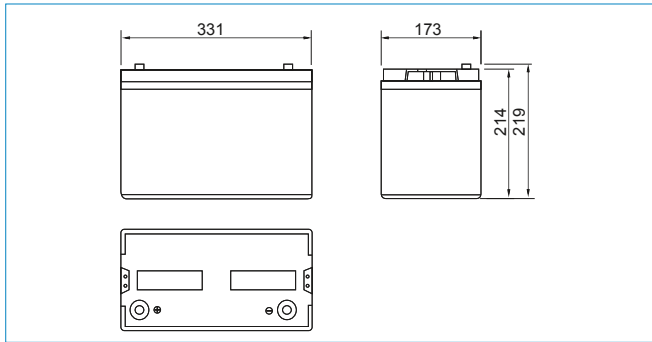
Applications

- Photovoltaic, solar, wind power systems
- UPS-Uninterruptible power supplies
- Computer backup
- Telecommunication systems
- Alarm systems
- Emergency lighting
- Fire and security systems
- Motor vehicles
- Outdoor and camping equipment
- Golf carts
- Marine equipment
- Medical devices
- Robotics

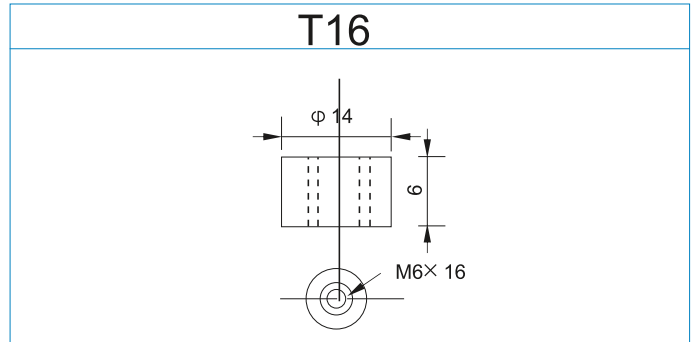


Product diagrams

Outer dimensions (mm)



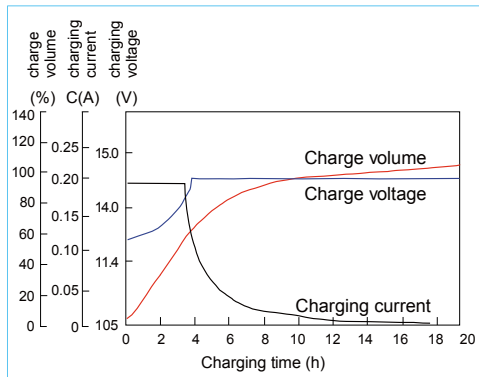
Terminal type (mm)



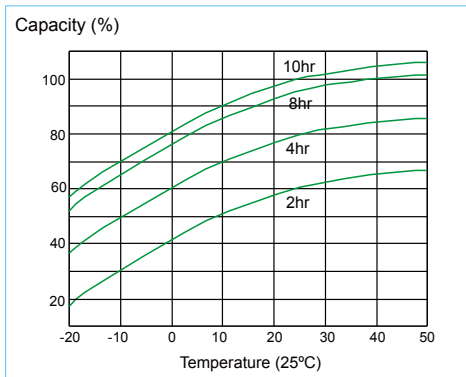
Constant current (amp) and constant power (watt) discharge table at 72°F (25°C)

Time		10min	30min	1h	2h	3h	4h	5h	8h	10h	20h
9.60V	A	198.0	109.0	59.5	34.6	25.8	20.0	16.5	11.6	11.0	5.7
	W	2099	1161	637	374	281	220	182.0	128.6	122.1	63.8
10.20V	A	188.0	108.0	56.0	33.0	25.0	19.5	16.2	11.4	10.4	5.6
	W	2068	1193	622	370	283	221	184	129	117	64
10.50V	A	178.0	101.0	54.5	32.2	24.4	19.2	16.0	11.3	10.2	5.5
	W	1994	1136	616	367	279	221	184	129	117	64
10.80V	A	168.0	93.0	52.5	31.4	23.8	18.9	15.6	11.0	10.0	5.5
	W	1907	1060	601	363	276	220	182	128	117	64
11.10V	A	158.0	83.0	49.5	30.6	23.0	18.3	15.2	10.7	9.8	5.4
	W	1817	959	574	358	270	216	179	126	115	64

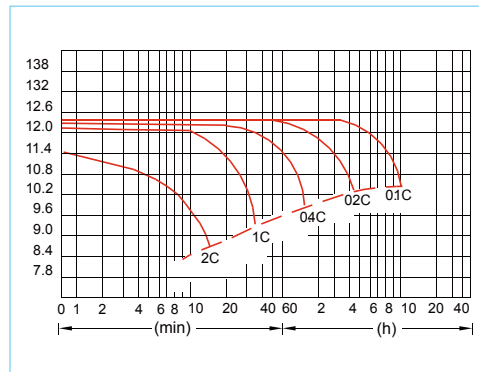
Charge characteristic curve (77°F)



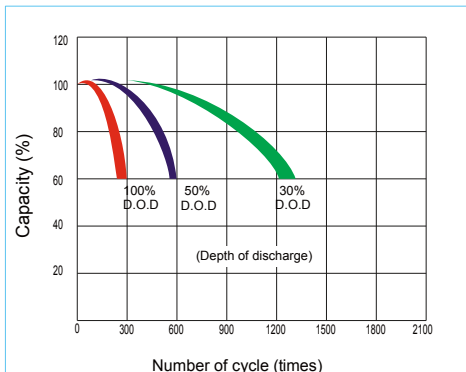
Discharge capacity and temperature curve



Discharge curve



Life characteristics of cyclic use



MPN	FUB-12100A	
Output		
Nominal voltage	12V	
Rated capacity (10-hour rate)	100Ah	
Type	Sealed-lead-acid battery – leakproof case	
Charge		
Cycle use voltage	14.6-14.8VDC	
Float charging voltage	13.7-13.9VDC	
Maximum charging current	25A	
Self-discharge at 77°F	Capacity after 3-month storage	91%
	Capacity after 6- month storage	82%
	Capacity after 12-month storage	64%
Terminal	T16	
Capacity factors		
Capacity at 77°F	10-hour rate (10.0 A)	100 Ah
	5-hour rate (16.0 A)	80.0 Ah
	1-hour rate (60.0A)	60.0 Ah
	1.5-hour discharge to 10.5V	40.0A
Internal resistance	Full charged battery at 77°F	5.5mΩ
Capacity affected by temperature (20-hour rate)	104°F	102%
	77°F	100%
	32°F	85%
	5°F	65%
Charge (constant voltage)	Cycle	Initial charging current less than 25.0A Voltage 14.10-14.40V
	Float	Voltage 13.50-13.80V
Physical characteristics		
Color	Black	
Dimensions	Total height: 9.17 inches Height: 8.39 inches Length: 13.0 inches Width: 6.81 inches	
Weight	67.1lb	
Additional information		
International standards	IEC 60896-21/22:2004 UL Certification	
Warranty	One year	

