

**3-year
warranty****

forza[®]
POWER TECHNOLOGIES



User Manual

Uninterruptible Power System

SL-401UL/601UL/801UL/1011UL

Important safety instructions (Save this sheet)

CAUTION!

1. This unit is intended for installation in a controlled environment (temperature-controlled indoor area location, free of conductive contaminants). Avoid installing the UPS where there is standing or running water, or excessive humidity.
2. To reduce the risk of overheating, do not cover the cooling vents. Avoid exposing the UPS to direct sunlight or installing the unit near heat-emitting appliances, such as electric heaters or furnaces.
3. Do not connect non-computer related peripheral devices, such as medical devices, life-support equipment, microwave ovens, or vacuum cleaners to the UPS.
4. Do not connect any power strip or surge suppressor to the UPS.
5. Do not plug the UPS AC input power cord into its own output.
6. Do not allow any kind of liquid or foreign object to enter this UPS unit. Do not place beverages or any other containers with liquid on or nearby the unit.
7. During the installation of this equipment, make sure that the sum of the leakage currents of the UPS and the connected loads shall not exceed 3.5mA. In case of emergency, turn the power switch “off” and disconnect the power cord from the AC mains outlet.
8. Unplug the UPS before cleaning, and do not use liquid or spray detergents.
9. Never try to open or mutilate a battery. Released electrolyte is harmful to the skin and eyes, and also can be toxic.
10. Servicing of batteries should be performed or supervised by experts who possess the knowledge to closely follow all required precautions.
11. When replacing the battery, make sure to use the same type and number of sealed lead-acid batteries specified.

Attention: Risk of electric shock

Safe handling of batteries

- A battery can present the risk of short-circuit current and electrical shock. The following precautions should be taken:

- 1) Remove watches, rings, or other metal objects from your hand.
- 2) Use tools with insulated handles.
- 3) Wear rubber gloves and boots.
- 4) Do not place tools or metal parts on the top of batteries.
- 5) Disconnect charging source prior to connecting or disconnecting battery terminals.

- **Attention:** potentially hazardous voltages from the battery can still be present even after disconnecting the UPS from the AC mains. Therefore, the positive and negative terminals of the battery shall be disconnected prior to performing any maintenance or repair inside the unit.

- The UPS contains internal 12VDC, sealed, lead-acid batteries.
- Do not dispose of batteries in a fire. Batteries may explode if exposed to high temperatures.

1. Introduction

Thank you for purchasing the **SL 401/601/801/1011UL Line Interactive Smart UPS** from Forza. To enjoy all the features and benefits of this unit, we encourage you to read this manual and follow the installation and operation instructions thoroughly.

This unit features a state of the art LCD display and powerful features designed to protect your equipment and sensitive electronics from voltage fluctuations and power failures. Reliable and interrupted performance is possible through the integration of voltage regulation, surge suppression and backup capabilities –all in a single unit. The new SL includes a power management software, with the latest in system monitoring technology. The SL UPS system comes in 400, 600, 800 and 1000 configurations.

2. Package content

2.1 Inspection

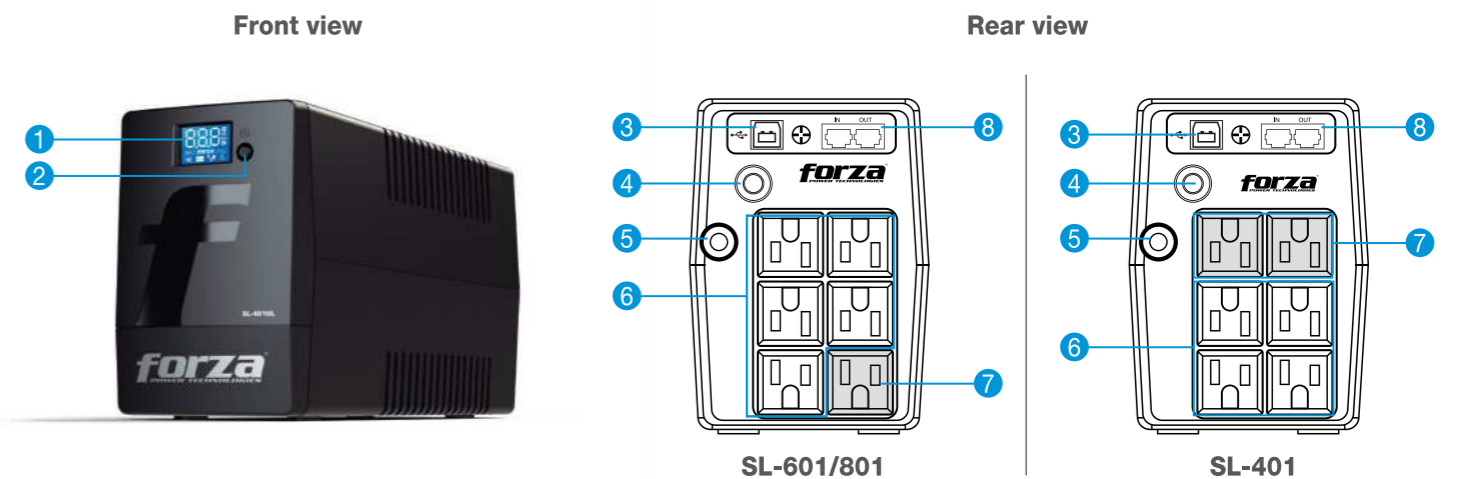
Upon opening the box, make sure the following items are included:

1. UPS unit
2. User manual
3. CD with software
4. USB cable
5. Warranty certificate

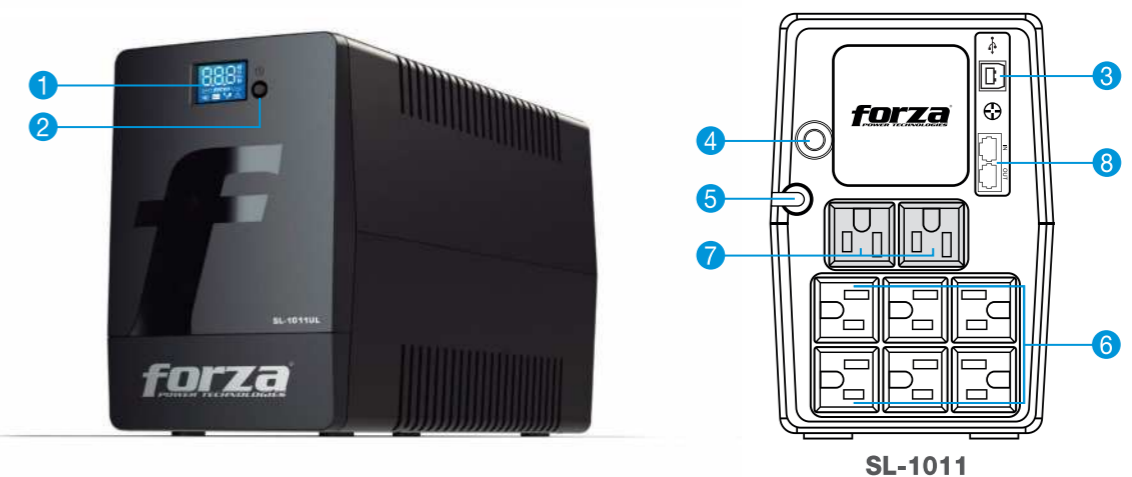
Remove the UPS from its package and look for damages that may have occurred during shipping. If any damage is discovered, repack the unit and return it to the place of purchase.

3. Product overview

SL-401/601/801



SL-1011



1. LCD touchscreen display
2. Power button
3. USB communication port
4. Circuit breaker
5. AC input
6. Battery backup receptacles
7. Surge-only protected receptacles
8. RJ-45/11 Network, fax and modem surge protection

4. Installation and operation

4.1 Choose a location

Install the UPS unit in any protected environment that provides adequate airflow around the unit, and free from excessive dust, corrosive fumes and conductive contaminants. Do not operate your UPS in an environment where the ambient temperature or humidity is high. For best performance, keep the indoor temperature between 0°C and 40°C with a relative humidity within 0-90%. Place the UPS unit at least 20 cm away from monitors to avoid interference.

4.2 Connection of the UPS to utility power and initial charging

Plug in the AC cord to a wall outlet. Please make sure there are no devices plugged into the unit.

This unit is shipped from the factory with its internal battery fully charged; however, some charge may be lost during shipping. So for best results, it is recommended to recharge them for at least 6 hours prior to initial use. The unit charges its batteries whenever it is connected to the utility power.



4.3 Connection of loads to the UPS

Connect one device into each power receptacle provided on the back of the UPS. Plug sensitive equipment into battery backup outlets. Battery power is automatically provided in case of a power outage.

NOTE: Make sure that the UPS is powered on to protect all important devices from data loss during power failure.

⚠ Never connect a power strip or surge suppressor to the UPS.

4.4 USB communication port

In order to monitor the UPS status and to allow for unattended shutdown of your operating system in the event of an extended power failure, connect the supplied USB cable between the USB port of your PC and the one located on the back of the UPS. The UPS will be detected automatically in this case.

⚠ NEVER connect a **laser printer** or **scanner** to the UPS unit. These devices generate high transient voltages that cause permanent damage to the UPS.



4.5 Powering on and off the UPS

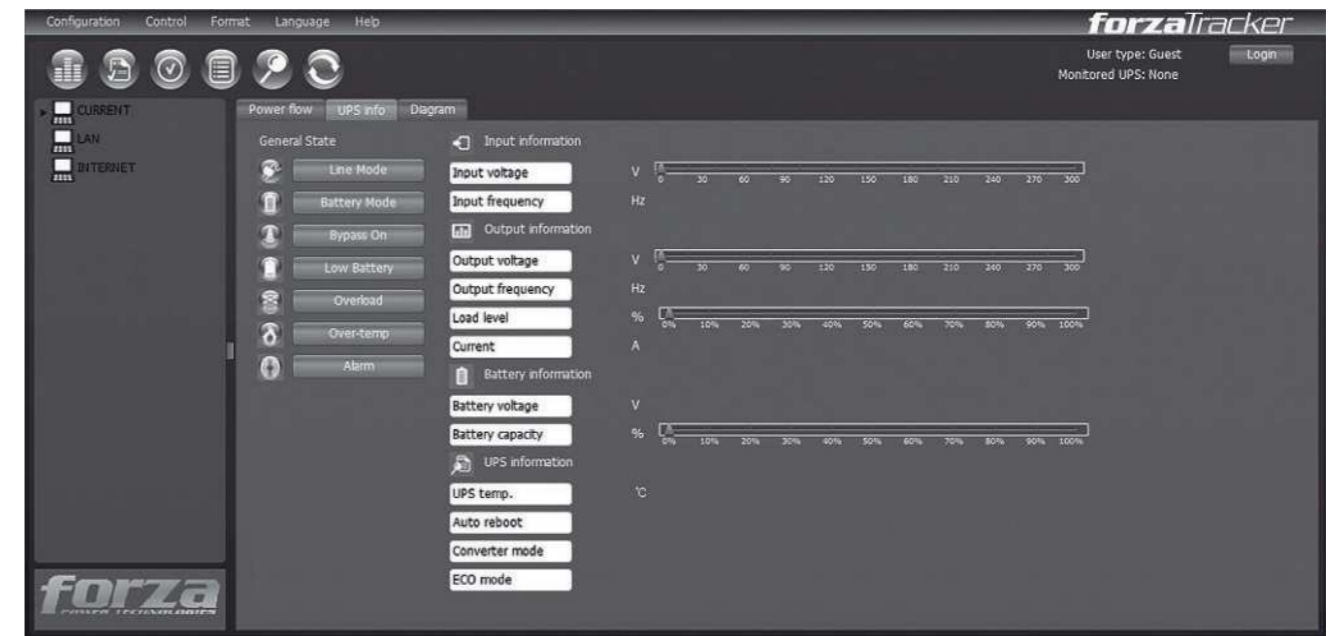
To start up the UPS, push down the power switch. To turn off the unit, press the button again.

5. Software installation – Forza Tracker

ForzaTracker is a new generation of UPS monitoring software, which provides user-friendly interface to monitor and control your UPS system. This unique software provides safe auto shutdown for multi-computer systems during power failures. With this software, users can remotely monitor and control any UPS on the same LAN, no matter how far the unit is located.

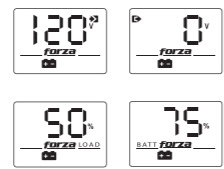
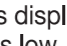

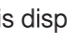
Installation procedure:

1. Go to the website: www.forzaups.com/us/driver-downloads/
2. Choose the type of operation system and follow the instructions on the website to download the software.
3. When downloading all required files from the internet, enter the serial No: 5242-87f6-64re-di8d-986u to install the software (include the hyphens).
4. When your computer restarts, the management software will appear as a green plug icon located in the system tray, near the clock.
5. To access the Forza Tracker management software as an administrator, you must enter the password: 111296.





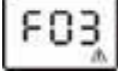
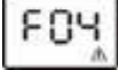


6. LCD display description

UPS mode	LCD	Description
UPS power on		When the UPS is initially powered on, it remains in this mode for 4 seconds
AC mode		Information is displayed in the following order when the LCD screen is touched: 1. Output voltage 2. Input voltage 3. Load level 4. Battery capacity When the AVR function is active, the icon blinks every second
Overload in AC mode		When the UPS is overloaded, the unit beeps every 0.5 second to warn about such condition The icon is displayed on the screen

UPS mode	LCD	Description
Battery mode	 <p>The  icon is displayed when battery level is low</p>	<p>When the UPS is in battery mode and battery voltage begins to dwindle, the unit will beep once every 10 seconds. Also when the LCD is touched, the information will be displayed in the following order:</p> <ol style="list-style-type: none"> 1. Output voltage 2. Input voltage 3. Load level 4. Battery capacity
Overload in battery mode	 <p>The  icon is displayed on the screen</p>	<p>When the UPS is overloaded, the unit beeps every 0.5 second to warn about such condition</p>

7. Troubleshooting guide

If the UPS system does not operate correctly, use the table below to troubleshoot the problem.

Fault condition	LCD	Solution
The output is short circuited		Disconnect short-circuited loads and restart the UPS
Overload fault		Remove all connected loads and restart the UPS
Overcharge		Call for technical assistance immediately
Defective or severely discharged battery		Please replace the battery
High output voltage		Call for technical assistance immediately
Over-temperature		<ol style="list-style-type: none"> 1. Turn off and wait for the unit to cool 2. Or remove excessive loads and wait for the unit to cool

For further assistance, please contact us at tech@forzaups.com

8. Technical specifications

MPN	SL401UL	SL-601UL	SL-801UL	SL-1011UL
General				
Capacity	400VA/240W	600VA/360W	800VA/480W	1000VA/600W
Input				
Nominal voltage	120V			
Voltage range	81-145VAC			
Frequency	45-65Hz (autosensing)			
AC plug style	NEMA 5-15P			
Output				
Nominal voltage	120V +/- 10%			
Frequency	50/60Hz			
Frequency stability	+/- 1Hz battery mode			
Waveform	Modified sine wave			
Total outlets	6 (NEMA 5-15R)			8 (NEMA 5-15R)
Full battery with surge protection outlets	4	5		6
Surge protection only outlets	2	1		2
Network protection	RJ-45			
Phone/fax/modem protection	RJ-11			
USB management	Included with ForzaTracker software			
Battery				
Battery type and quantity	12V /4.5Ah (1)	12V /7Ah (1)	12V / 9Ah (1)	12V / 7Ah (2)
Backup time	18 min**	25 min**	32 min**	50 min**
Recharge time	4 hours to 90% after complete discharge			
Line/Battery transfer				
Transfer time	2-4ms			
Alarms/Indicators				
Visual indicators	Easy to read touchscreen LCD with blue backlight that displays battery status, input voltage, output voltage, load level, and UPS status			
Audible tone	Battery mode: Sounds every 10 seconds Low battery: Sounds every second Overload: Sounds every 0.5 second Fault: Sounds continuously			
Protection				
Joules	510J			660J
Physical appearance				
Housing	ABS fire retardant plastic			
Color	Black			
Product dimensions	11.8x3.9x 5.6in			12.6x5.1x7.2in
Product weight	8.2lb	9.7lb	11lb	18.1lb
Additional information				
Warranty	3 years *			

* Limited to 2 years on batteries

** Single PC plus monitor

